



## 1.25/2.5Gbps 980nm VCSEL in TO-46 Can Package

Part No. VCT-A98A31-3

### Features

- 980nm wavelength range
- High data rate 1.25/2.5Gbps
- High reliability
- Low current and voltage
- Ball lens type TO-46 can package



### Applications

- High speed Data communications
- Fiber channel

### Specifications

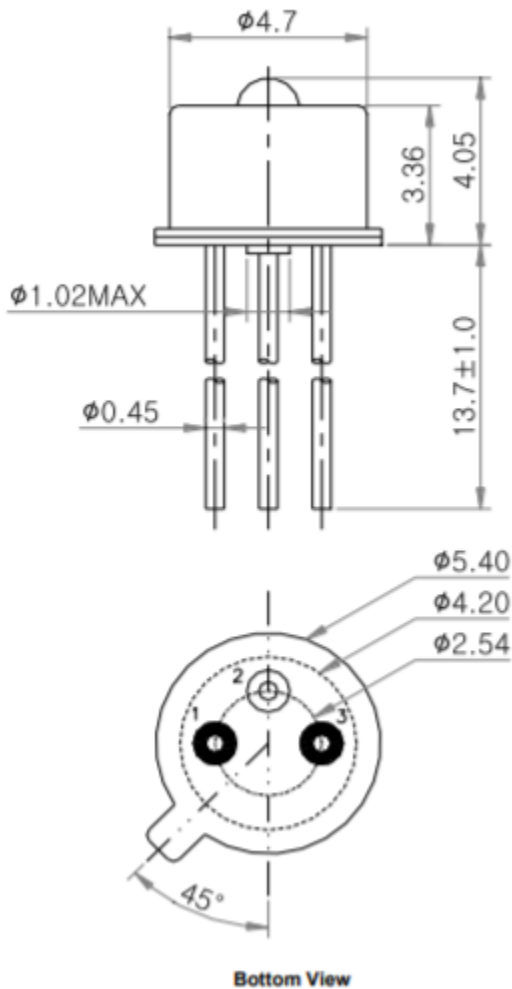
Absolute Maximum Ratings				
Parameters	Min.	Max.	Unit	Conditions
Storage Temperature	-40	100	°C	
Operating Temperature	0	85	°C	
Lead Solder Temperature		260	°C	10 seconds
Continuous Forward Current		12	mA	
Continuous Reverse Voltage		5	V	10uA

Electro-Optical Characteristics (T <sub>a</sub> =25°C unless otherwise stated)						
Parameters	Symbol	Min.	Typ.	Max.	Unit	Conditions
Threshold Current	I <sub>th</sub>		1.5		mA	CW
Slope Efficiency	η	0.2	0.3	0.5	W/A	I <sub>f</sub> =6mA
Optical Output Power	P <sub>o</sub>		1.5		mW	I <sub>f</sub> =6mA
Peak Wavelength	λ <sub>P</sub>	970	980	990	nm	I <sub>f</sub> =6mA
Spectral Bandwidth (RMS)	Δλ			0.85	nm	I <sub>f</sub> =6mA
Beam Divergence	Θ	14		30	°	P <sub>o</sub> =1.5mW, (Full width, 1/e <sup>2</sup> )
Operating Voltage	V <sub>f</sub>		1.6	2.0	V	I <sub>f</sub> =6mA
Breakdown Voltage	V <sub>b</sub>		-10		V	
Dynamic Resistance	R <sub>d</sub>	20	35	55	Ohm	I <sub>f</sub> =6mA

Thermal Characteristics						
Parameters	Symbol	Min.	Typ.	Max.	Unit	Conditions
I <sub>th</sub> Temperature Variation	ΔI <sub>th</sub>		1.5		mA	T <sub>a</sub> =0 to 85°C
η Temperature Coefficient	Δη/ΔT		-0.5		%/°C	T <sub>a</sub> =0 to 85°C, I <sub>f</sub> =6mA
λ Temperature Coefficient	Δλ/ΔT		0.06		nm/°C	T <sub>a</sub> =0 to 85°C, I <sub>f</sub> =6mA



**Outline Dimensions (unit: mm)**



**Pin Configuration**

Pin Number	Function
1	VCSEL Anode
2	NC
3	VCSEL Cathode

**Additional Notes**

- The inherent design of this component causes it to be sensitive to electrostatic discharge (ESD). To prevent ESD-induced damage and/or degradation to equipment, take normal ESD precautions when handling this product.
- Specifications are subject to change without notice.