



T98E-XYZ-WM 980nm Fiber Coupled Laser Diodes

With 9/125 μ m SM Fiber and Multimode Beam

	Read Model No.	T98E-XYZ-WM
	T98E = Laser	980 nm laser
	X = Package	Pigtailed with 9/125 μ m SM fiber (X=P)
	Y = Connector	SC/PC (Y=SC), ST/PC (Y=ST), FC/PC (Y=FC)
	Z = Output power	1mW (Z=1), 5mW (Z=5)
	W = Pinout configuration	Common anode (W=2)
	M = Mount	No flange (M=0), Horizontal mount (M=1)

Features

- 980nm laser diode
- Operation at -10°C to +60 °C
- Built-in monitor photodiode
- Fiber optical output power >1mW and >5mW for 9/125um SM fiber

Packaging

- Fiber pigtailed with optional FC/SC/ST connector

Applications

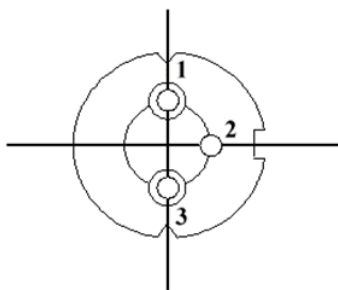
- Light source

Specifications

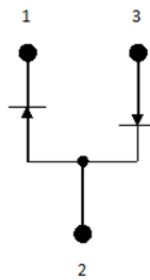
Absolute Maximum Ratings (T _c = 25°C)			
Parameter	Symbol	Rating	Unit
Operating Temperature	T _{op}	-10 to +50	°C
Storage Temperature	T _{stg}	-40 to +85	°C
LD Reverse Voltage	V _{RLD}	2	V
PD Reverse Voltage	V _{RPD}	30	V

Electrical-Optical Characteristics (T _c = 25°C)						
Parameter	Symbol	Min.	Typ.	Max	Unit	Conditions
Lasing Wavelength	λ	965	980	995	nm	
Threshold current	I _{th}	-	8	-	mA	CW
Operating current	For Z=1	-	20	-	mA	CW
	For Z=5	-	40	-		
Operating voltage	V _{op}	-	1.9	2.1	Volt	
Optical output power	For Z=1	1			mW	9/125 μ m SM fiber
	For Z=5	5				

Pin Configuration



Bottom View

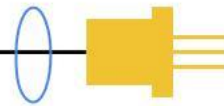


1. Laser diode cathode
2. Laser diode anode
Photodiode cathode
3. Photodiode anode

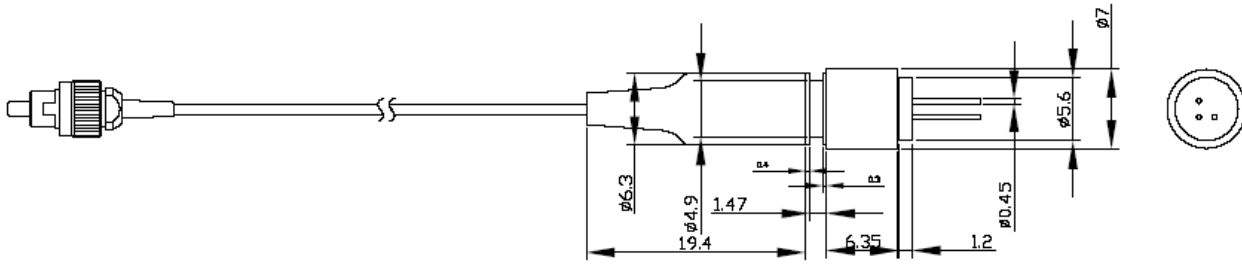
Lasermate Group, Inc.

19608 Camino De Rosa, Walnut, CA 91789, USA

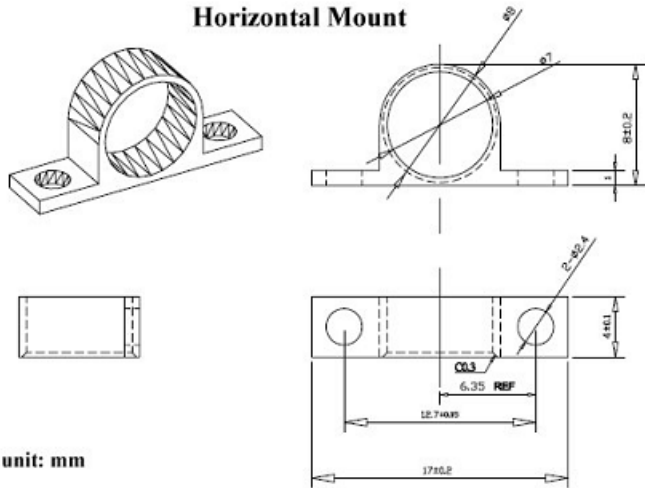
Tel: (909)718-0999 | Fax: (909)718-0998 | E-mail: info@lasermate.com | URL: <http://www.lasermate.com>



Mechanical Outline (unit: mm)



Horizontal Mount



unit: mm

Ordering Information

Part Number	Package	Connector	Output Power	Mount
T98E-PSC1-20	Pigtailed with 9/125um SM fiber	SC/PC	1mW	No flange
T98E-PST1-20	Pigtailed with 9/125um SM fiber	ST/PC	1mW	No flange
T98E-PFC1-20	Pigtailed with 9/125um SM fiber	FC/PC	1mW	No flange
T98E-PSC1-21	Pigtailed with 9/125um SM fiber	SC/PC	1mW	Horizontal mount
T98E-PST1-21	Pigtailed with 9/125um SM fiber	ST/PC	1mW	Horizontal mount
T98E-PFC1-21	Pigtailed with 9/125um SM fiber	FC/PC	1mW	Horizontal mount
T98E-PSC5-20	Pigtailed with 9/125um SM fiber	SC/PC	5mW	No flange
T98E-PST5-20	Pigtailed with 9/125um SM fiber	ST/PC	5mW	No flange
T98E-PFC5-20	Pigtailed with 9/125um SM fiber	FC/PC	5mW	No flange
T98E-PSC5-21	Pigtailed with 9/125um SM fiber	SC/PC	5mW	Horizontal mount
T98E-PST5-21	Pigtailed with 9/125um SM fiber	ST/PC	5mW	Horizontal mount
T98E-PFC5-21	Pigtailed with 9/125um SM fiber	FC/PC	5mW	Horizontal mount

Additional Notes

- The laser diodes are designated solely as OEM components for incorporation into the customer's end products. Therefore, it is the customer's responsibility to comply with the appropriate requirements of FDA 21CFR, section 1040.10 and 1040.11 for complete laser products. For the code of FDA regulations, please refer to [FDA Performance Standards for Light-Emitting Products](#) for detailed information.
- Specifications are subject to change without notice.

Lasermate Group, Inc.

19608 Camino De Rosa, Walnut, CA 91789, USA

Tel: (909)718-0999 | Fax: (909)718-0998 | E-mail: info@lasermate.com | URL: <http://www.lasermate.com>