

T80H-P1 Series 808nm Fiber Coupled Laser Diodes, 750mW-1500mW

With MM Fiber and Multimode Beam

Features

- 808nm laser diode
- Uncooled fiber-coupled CW module
- Multimode fiber output

Applications

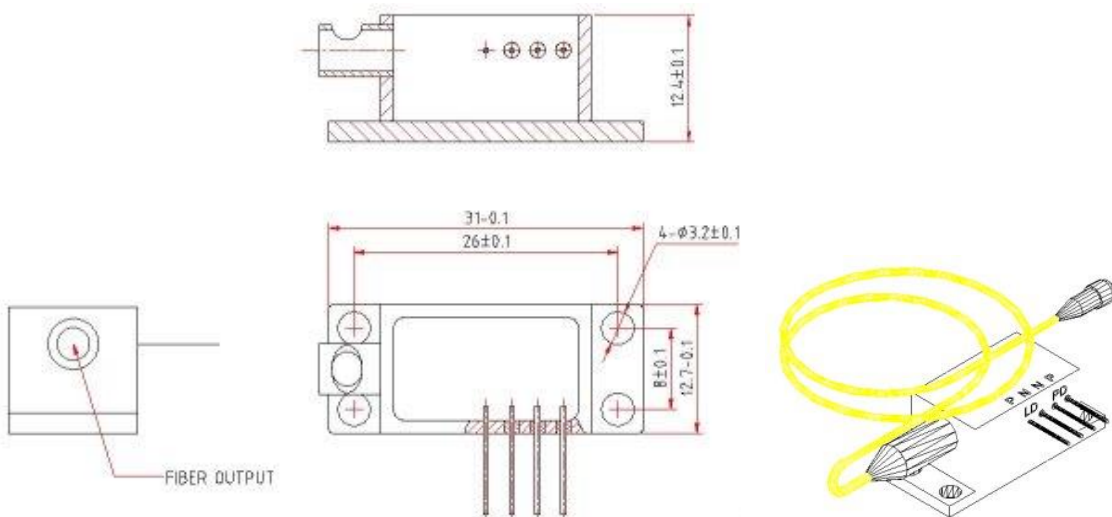
- Laser pumping
- Medical usage
- Printing
- Heating
- Material processing
- Marking

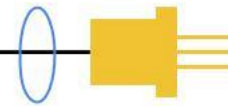


Specifications (25°C)

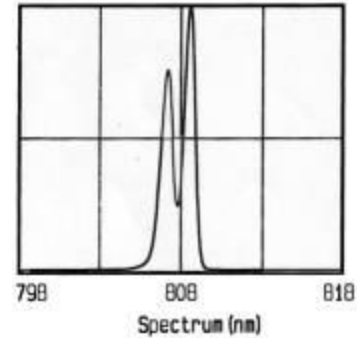
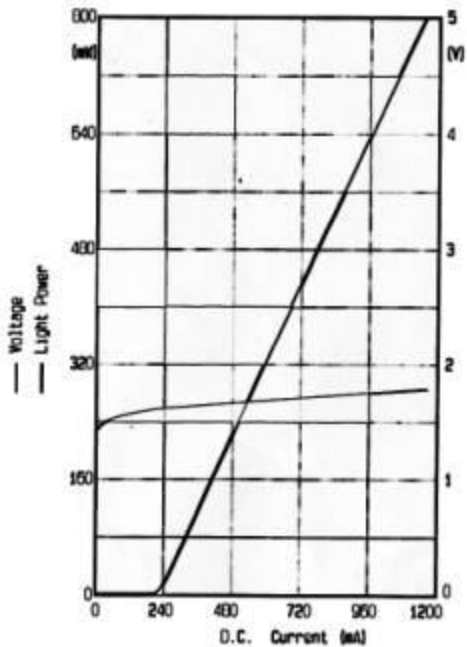
Model Number	T80H-P1-X750	T80H-P1-X1500
Optical Specifications		
CW Output Power from Fiber	750mW	1500mW
Central Wavelength	800 - 820nm	
Spectral Width	<4nm	
Wavelength Temperature Coefficient	0.3nm/°C	
Fiber Characteristics		
Fiber Core Size	105µm	
N.A.	0.22	
Fiber Length	>70cm	
Connector	FC (X=FC); ST (X=ST); SMA-905 (X=SMA)	
Electrical Characteristics		
Slope Efficiency	>0.75W/A	
Threshold Current	250mA	500mA
Operating Current	1250mA	2500mA
Operating Voltage	<2V	
Series Resistance	<0.2Ω	

Mechanical Outline (unit: mm)





Typical Characteristics



Ordering Information

Part Number	Wavelength	Output Power	Operating Current	Fiber Core Size	Connector
T80H-P1-FC750	808nm	750mW	1250mA	105um	FC
T80H-P1-ST750	808nm	750mW	1250mA	105um	ST
T80H-P1-SMA750	808nm	750mW	1250mA	105um	SMA905
T80H-P1-FC1500	808nm	1500mW	2500mA	105um	FC
T80H-P1-ST1500	808nm	1500mW	2500mA	105um	ST
T80H-P1-SMA1500	808nm	1500mW	2500mA	105um	SMA905

Additional Notes

- The laser diodes are designated solely as OEM components for incorporation into the customer's end products. Therefore, it is the customer's responsibility to comply with the appropriate requirements of FDA 21CFR, section 1040.10 and 1040.11 for complete laser products. For the code of FDA regulations, please refer to [FDA Performance Standards for Light-Emitting Products](#) for detailed information.
- Specifications are subject to change without notice.