

## T66E-XYZ-WM 660nm Fiber Coupled Laser Diodes

With 9/125 $\mu$ m SM Fiber and Multimode Beam

	<b>Read Model No.</b>	<b>T66E-XYZ-WM</b>
	T66E = Laser	660 nm laser
	X = Package	Pigtailed with 9/125 $\mu$ m SM fiber ( <b>X=P</b> )
	Y = Connector	SC/PC ( <b>Y=SC</b> ), ST/PC ( <b>Y=ST</b> ), FC/PC ( <b>Y=FC</b> )
	Z = Output power	20mW ( <b>Z=20</b> )
	W = Pinout configuration	Common anode ( <b>W=2</b> )
	M = Mount	No flange ( <b>M=0</b> ), Horizontal mount ( <b>M=1</b> )

### Features

- 660nm laser diode
- Operation at -10°C to +60 °C
- Built-in monitor photodiode
- Fiber optical output power 20mW for 9/125 $\mu$ m SM fiber

### Packaging

- Fiber pigtailed with optional FC/SC/ST connector

### Applications

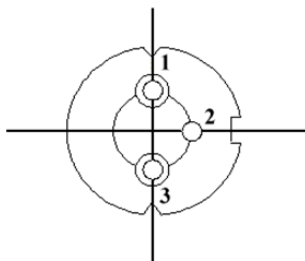
- Design for optical fiber checker
- Light source

### Specifications

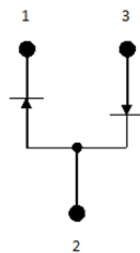
Absolute Maximum Ratings ( $T_C = 25^\circ\text{C}$ )			
Parameter	Symbol	Rating	Unit
Operating Temperature	$T_{op}$	-10 to +60	$^\circ\text{C}$
Storage Temperature	$T_{stg}$	-40 to +85	$^\circ\text{C}$
LD Reverse Voltage	$V_{RLD}$	2	V
PD Reverse Voltage	$V_{RPD}$	30	V

Electrical-Optical Characteristics ( $T_C = 25^\circ\text{C}$ )						
Parameter	Symbol	Min.	Typ.	Max	Unit	Conditions
Lasing Wavelength	$\lambda$	650	660	670	nm	
Threshold current	$I_{th}$	-	45	60	mA	CW
Operating current	$I_{op}$	-	80	120	mA	
Operating voltage	$V_{op}$	-	2.5	3.0	Volt	
Optical output power	$P_O$	-	-	20	mW	9/125 $\mu$ m SM fiber
Monitor current	$I_m$	50	250	900	$\mu\text{A}$	

### Pin Configuration



Bottom View



1. Laser diode cathode
2. Laser diode anode  
Photodiode cathode
3. Photodiode anode

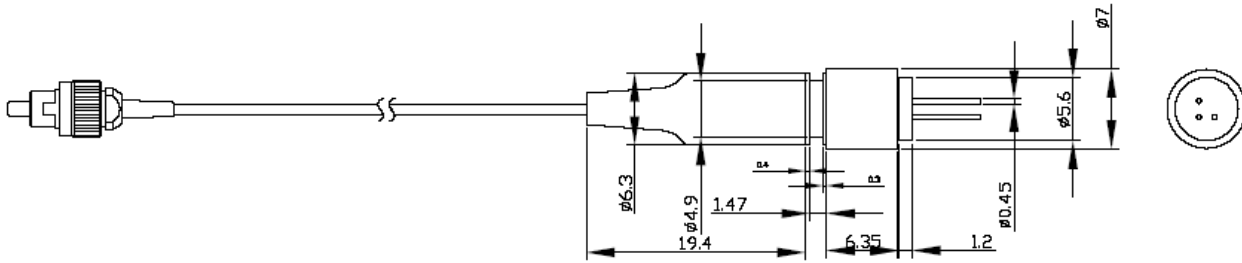
**Lasermate Group, Inc.**

19608 Camino De Rosa, Walnut, CA 91789, USA

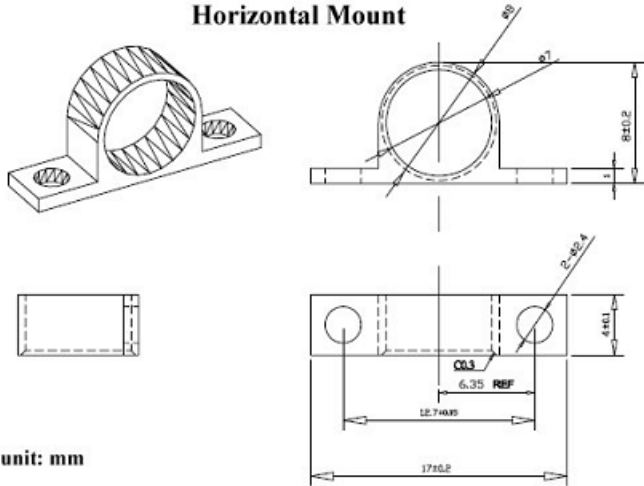
Tel: (909)718-0999 | Fax: (909)718-0998 | E-mail: [info@lasermate.com](mailto:info@lasermate.com) | URL: <http://www.lasermate.com>



**Mechanical Outline (unit: mm)**



**Horizontal Mount**



**Ordering Information**

Part Number	Package	Connector	Output Power	Mount
T66E-PSC20-20	Pigtailed with 9/125um SM fiber	SC/PC	20mW	No flange
T66E-PST20-20	Pigtailed with 9/125um SM fiber	ST/PC	20mW	No flange
T66E-PFC20-20	Pigtailed with 9/125um SM fiber	FC/PC	20mW	No flange
T66E-PSC20-21	Pigtailed with 9/125um SM fiber	SC/PC	20mW	Horizontal mount
T66E-PST20-21	Pigtailed with 9/125um SM fiber	ST/PC	20mW	Horizontal mount
T66E-PFC20-21	Pigtailed with 9/125um SM fiber	FC/PC	20mW	Horizontal mount

**Additional Notes**

- The laser diodes are designated solely as OEM components for incorporation into the customer's end products. Therefore, it is the customer's responsibility to comply with the appropriate requirements of FDA 21CFR, section 1040.10 and 1040.11 for complete laser products. For the code of FDA regulations, please refer to [FDA Performance Standards for Light-Emitting Products](#) for detailed information.
- Specifications are subject to change without notice.