



T65E-XYZ-WM-S4 650nm Fiber Coupled Laser Diodes

With 4/125 μ m SM Fiber and Single Mode Beam

	Read Model No.	T65E-XYZ-WM-S4
	T65E = Laser	650 nm laser
	X = Package	Pigtailed with 4/125 μ m SM fiber (X=P)
	Y = Connector	FC/PC (Y=FC), no connector (Y=NO)
	Z = Output power	1mW (Z=1)
	W = Pinout configuration	Common anode (W=2)
	M = Mount	No flange (M=0), Horizontal mount (M=1)
S4 = 4/125 μ m SM fiber	4/125 μ m SM fiber with single mode beam	

Features

- 650nm laser diode
- Operation at -10°C to +70 °C
- Built-in monitor photodiode
- Fiber optical output power of 1mW for 4/125 μ m SM fiber with single mode beam

Packaging

- Fiber pigtailed with optional FC connector

Applications

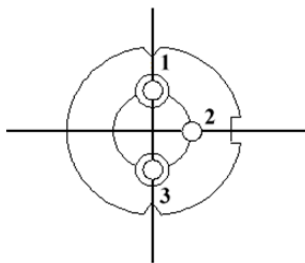
- Design for optical fiber checker
- Light source

Specifications

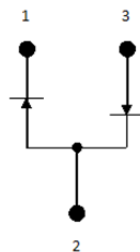
Absolute Maximum Ratings (T _c = 25°C)			
Parameter	Symbol	Rating	Unit
Operating Temperature	T _{op}	-10 to +70	°C
Storage Temperature	T _{stg}	-40 to +85	°C
LD Reverse Voltage	V _{RLD}	2	V
PD Reverse Voltage	V _{RPD}	30	V

Electrical-Optical Characteristics (T _c = 25°C)						
Parameter	Symbol	Min.	Typ.	Max	Unit	Conditions
Lasing Wavelength	λ	645	650	660	nm	
Threshold current	I _{th}	-	20	-	mA	CW
Operating current	I _{op}	-	25	-	mA	
Operating voltage	V _{op}	-	2.2	2.5	Volt	
Optical output power	P _O	-	1	-	mW	4/125 μ m SM fiber
Monitor current	I _m	50	120	400	μ A	

Pin Configuration



Bottom View

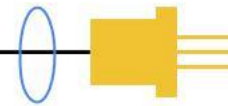


1. Laser diode cathode
2. Laser diode anode
Photodiode cathode
3. Photodiode anode

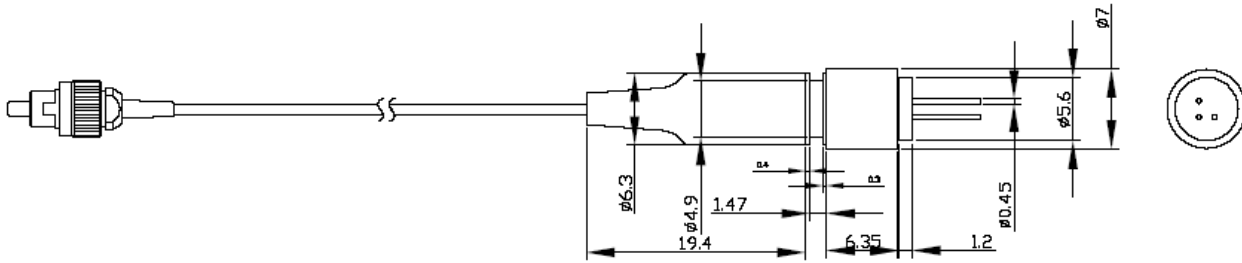
Lasermate Group, Inc.

19608 Camino De Rosa, Walnut, CA 91789, USA

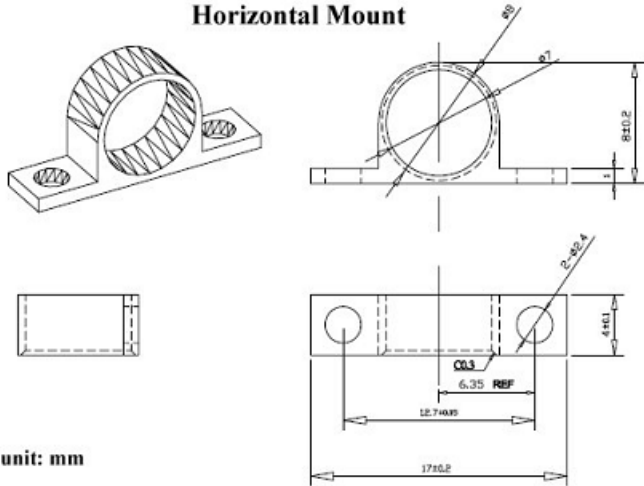
Tel: (909)718-0999 | Fax: (909)718-0998 | E-mail: info@lasermate.com | URL: <http://www.lasermate.com>



Mechanical Outline (unit: mm)



Horizontal Mount



unit: mm

Ordering Information

Part Number	Package	Connector	Output Power	Mount
T65E-PFC1-20-S4	Pigtailed with 4/125um SM fiber	FC/PC	1mW	No flange
T65E-PNO1-20-S4	Pigtailed with 4/125um SM fiber	None	1mW	No flange
T65E-PFC1-21-S4	Pigtailed with 4/125um SM fiber	FC/PC	1mW	Horizontal mount
T65E-PNO1-21-S4	Pigtailed with 4/125um SM fiber	None	1mW	Horizontal mount

Additional Notes

- The laser diodes are designated solely as OEM components for incorporation into the customer's end products. Therefore, it is the customer's responsibility to comply with the appropriate requirements of FDA 21CFR, section 1040.10 and 1040.11 for complete laser products. For the code of FDA regulations, please refer to [FDA Performance Standards for Light-Emitting Products](#) for detailed information.
- Specifications are subject to change without notice.