



1550nm FP Laser Diode TOSA

Model No. T15F-XYZ-WM-D

Read Model No.	T15F-XYZ-WM-D
T15F = Laser	1550nm FP laser
X = Package	Pigtailed with 9/125um SM fiber (X=P); Receptacle (X=R)
Y = Connector	None (Y=NO); FC/PC (Y=FC); SC/PC (Y=SC); ST/PC (Y=ST); LC/PC (Y=LC); FC/APC (Y=FA); SC/APC (Y=CA); ST/APC (Y=TA)
Z = Output power	>0.2mW (Z=S); >0.5mW (Z=M); >1mW (Z=H); >2mW (Z=2)
W = Pin configuration	A pinout (W=A); B pinout (W=B); C pinout (W=C)
M = Mount	For Receptacle: N/A (M=R) For Pigtail: No flange (M=0); Horizontal mount (M=1)
D = Data rate	1.25Gbps (D=1G); 2.5Gbps (D=2G)

Features

- 1550nm MQW-FP laser diode (LD)
- Data Rate: 155Mbps up to 2.5Gbps
- Uncooled operation at -40 to 85°C
- Hermetically sealed active component
- Built-in InGaAs monitor PIN photodiode (PD)



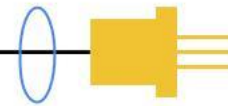
Packaging

- Fiber pigtailed with optional FC/ST/SC/LC connector
- FC/ST/SC receptacle package with 2-hole flange



Applications

- ATM/SONET OC-3/OC-12/OC-24
- SDH STM-1/STM-4/STM-8
- Stable emitting source at specific wavelength



Specifications

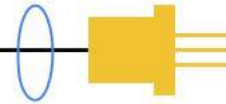
Absolute Maximum Ratings				
Parameters	Symbol	Value	Unit	Conditions
Storage temperature	Tstg	-40 to +85	°C	
Operating case temperature	Top	-40 to +85	°C	
Peak optical output power	Po	3	mW	
Forward current (LD)	I _{FLD}	100	mA	
Reverse voltage (LD)	V _{RLD}	2	V	
Reverse current (PD)	I _{RPD}	5	mA	
Reverse voltage (PD)	V _{RPD}	15	V	
Soldering temperature	Stemp	260	°C	10 seconds

Electro-Optical Characteristics (CW @ T _c = 25°C unless otherwise noted)						
Parameters	Symbol	Min.	Typ.	Max.	Unit	Conditions
Central wavelength	λ_c	1520	1550	1570	nm	CW, Pf
Spectral width	$\Delta\lambda$	-	2	3	nm	Pf
Threshold current	I _{th}	-	10	15	mA	CW
Fiber output power	Pf	0.2			mW	CW, I _f =I _{th} +20mA
		0.5				
		1.0				
		2.0				
Operating voltage	V _{op}	-	1.1	1.5	V	Pf
Rise time / Fall time	t _r /t _f	-	0.15	0.3	nsec	I _b = I _{th} , 20%~80%
Monitor current	I _m	100	-	1000	uA	Pf, V _{rp} =5V
Monitor dark current	I _d	-	0.1	100	nA	V _{rp} =5V
Monitor capacitance	C	-	10	20	pF	V _{rp} =5V, f=1MHz
Tracking error*	Δ Pf/ Pf	-	±1.0	±1.5	dB	APC, T _c =-40~+85°C

*I_m=constant @ Pf, T_c=25 °C

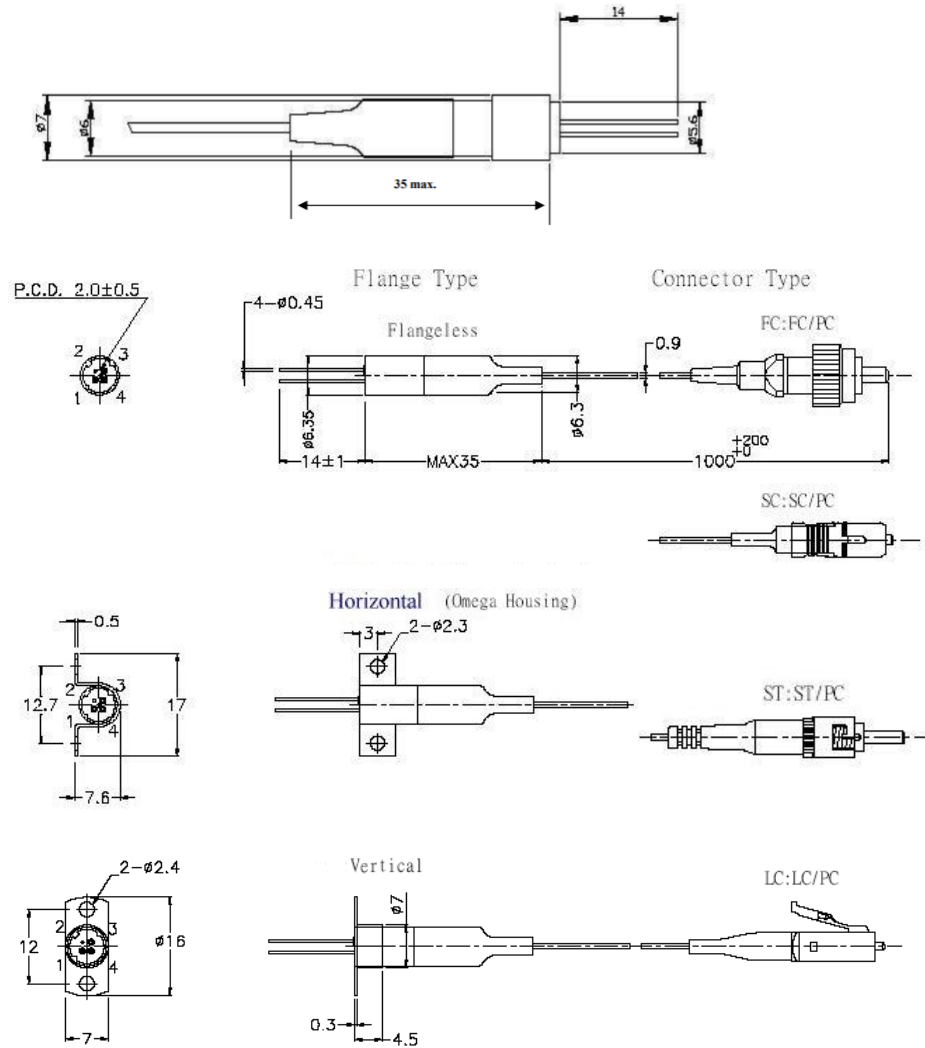
Fiber Pigtail Specifications					
Parameters	Symbol	Min.	Typ.	Max.	Unit
Fiber type		Single Mode Fiber (Flame Retardant Hytrel Coating)			
Cladding diameter	Dcl	122	125	128	um
Mode field diameter	Dmf	-	10	-	um
Coating diameter	Dbc	-	0.9	1	mm
Pigtail length*	L	0.9	1.0	1.1	m
Bending radius	Rb	30	-	-	mm
Connector		TBD			

*From the ferrule-end to the bottom of TO-header.

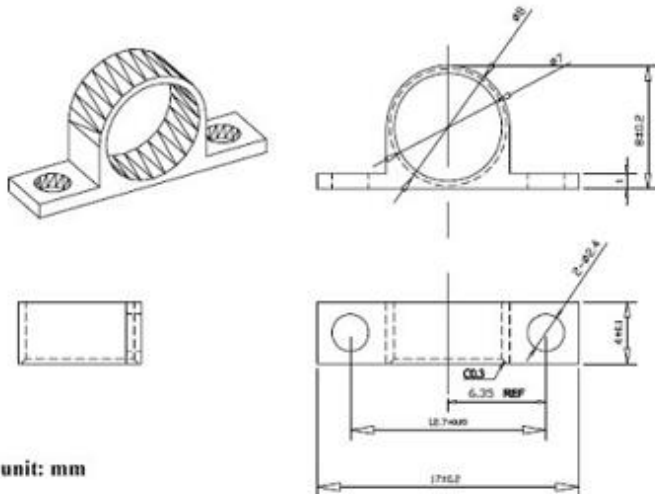


Outline Dimensions (unit: mm)

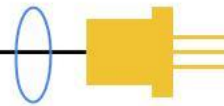
Pigtail:



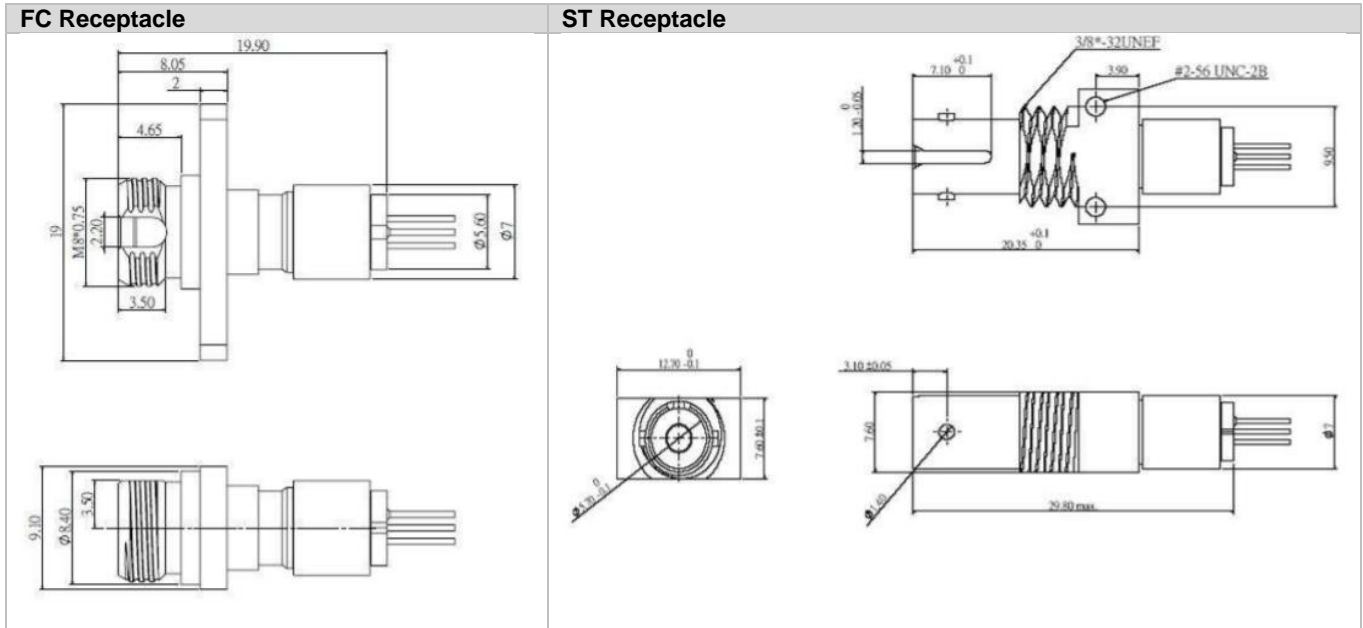
Horizontal Mount:



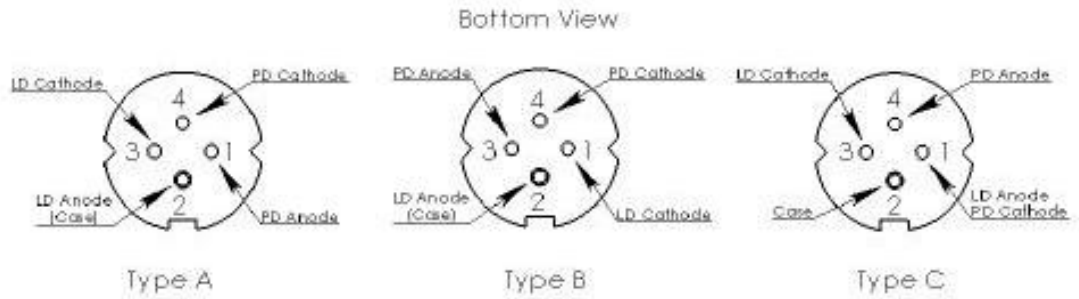
unit: mm



Receptacle:



Pin Assignment



Pin Number	Type A	Type B	Type C
1	PD Anode	LD Cathode	LD Anode, PD Cathode
2	LD Anode (case)	LD Anode (case)	Case
3	LD Cathode	PD Anode	LD Cathode
4	PD Cathode	PD Cathode	PD Cathode

Note: Specifications are subject to change without notice.