



# SLMS532 Series Environmentally Sealed 532nm Single Longitudinal Mode Laser System up to 100mW

## Overview

The SLMS532 series single longitudinal mode laser is ideal for applications that require a wavelength of 532nm and output power levels up to 100mW. The laser features good sealing, ultra-compact design, long lifetime, easy operating working under the pressure of 0.02kPa, and FDA-compliant system with driver. The laser is widely used in DNA sequencing, flow cytometry, cell sorting, optical instrument, spectrum analysis, interference, measurement, holography, physics experiment, and many other applications.



## Specifications

<b>Model Number</b>	<b>SLMS532-XYPR</b>	
Wavelength (nm)	532±2	
Operating mode	CW	
Output power (mW)	>30 (X=30), >50 (X=50), >100 (X=100)	
Power stability (rms, over 4 hours)	<5% (P=A), <3% (P=E), <1% (P=D)	
Transverse mode	TEM <sub>00</sub>	
Longitudinal mode	Single	
Spectral linewidth (nm)	<0.00001	
Coherent length (m)	>50	
Noise of amplitude (rms, 1Hz~20MHz)	<0.5%	
Beam diameter at aperture (1/e <sup>2</sup> , mm)	0.7±0.05	
Beam divergence, full angle (mrad)	<1.5	
M <sup>2</sup> factor	<1.2	
Polarization ratio	>100:1 Horizontal ±5 degree	
Warm-up time (minutes)	<5	
Pointing stability after warm-up (mrad)	<0.05	
Pointing stability over temperature (urad/°C)	<8	
Beam height from base plate (mm)	19	
Power consumption (W)	<30	
Shock tolerance (6ms)	7g laterally, 15g vertically	
IP rating	IP67 (R=W)	IP65 (R=D)
Operating temperature (°C)	0-60	10-35
Max heat dissipation of head (W)	10W at 50°C	4W at 25°C
Dimensions of laser head (mm)	100(L)×40(W) ×40(H) mm <sup>3</sup>	
Weight of laser head (kg)	0.36 kg	
Power supply		
High Power Elite Power Supply (Y=H)	Input voltage	90-264VAC
	Dimensions	275(L) ×145(W) ×104(H) mm <sup>3</sup>
	Weight	2.3 kg
	Notes	Fixed output power, only for IP67 rating
A Version Elite Power Supply (Y=F)	Input voltage	90-264VAC
	Dimensions	162(L) ×144(W) ×55(H) mm <sup>3</sup>
	Weight	0.5 kg
	Notes	Fixed output power, only for IP65 rating
Expected lifetime (hours)	10,000	
Warranty period	10 months	
FDA Compliance	FDA CDRH Title 21 CFR 1040.10/11 Class IIIb	

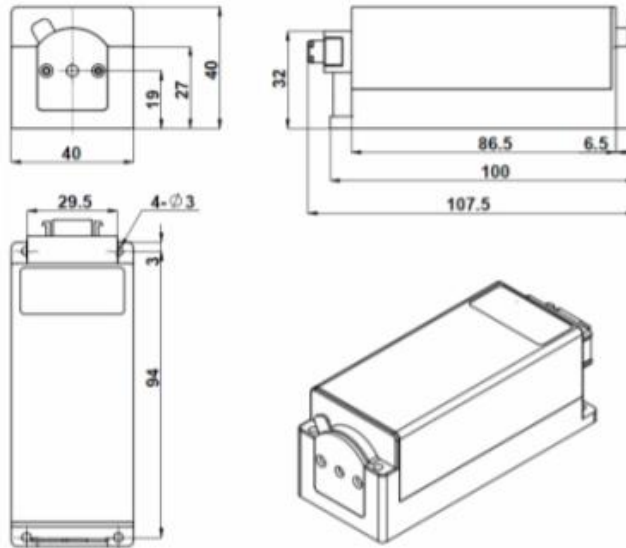
### Remarks:

- Specifications of the CW laser is based on the laser performance at full power output after the specified warmup period. The stability of output power may change when output power is adjusted at a different power level.



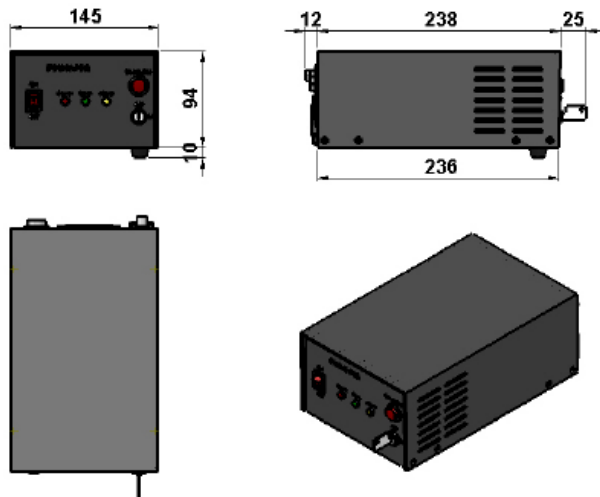
**Outline Dimensions (unit: mm)**

**Laser Head**



**Power Supply Options**

**High Power Elite Power Supply (Y=H)**



**A Version Elite Power Supply (Y=F)**



Note: The above specifications are subject to change without notice.