



## **SLMFM473 Series High Frequency Modulated 473nm Single Longitudinal Mode Laser System up to 50mW**

### **Overview**

The SLMFM473 series high frequency modulated single longitudinal mode laser is ideal for applications that require a wavelength of 473nm and output power levels up to 50mW. The laser features quick modulation rate with modulation frequency up to 1MHz, high extinction ratio, easy coding, convenient use, and FDA-compliant system with driver. The laser is widely used in laser text-image processing, laser lithography, laser phototypesetting, laser digital communication, OEM system integration, scientific research laboratories, and many other applications.

### **Specifications**

<b>Model Number</b>	<b>SLMFM473-XYP</b>	
Wavelength (nm)	473±1	
Operating mode	CW	
Output power (mW)	>10 ( <b>X=10</b> ), >30 ( <b>X=30</b> ), >50 ( <b>X=50</b> )	
Power stability (rms, over 4 hours)	<5% ( <b>P=A</b> ), <3% ( <b>P=E</b> ), <1% ( <b>P=D</b> )	
Transverse mode	Near TEM <sub>00</sub>	
Longitudinal mode	Single	
Spectral linewidth (nm)	<0.00001	
Coherent length (m)	>50	
Optical noise (rms, 1Hz-20MHz)	<0.5%	
Beam diameter at aperture (1/e <sup>2</sup> , mm)	~3.0	
Beam divergence, full angle (mrad)	<1.5	
M <sup>2</sup> factor	<1.5	
Polarization ratio	>100:1	
Warm-up time (minutes)	<10	
Pointing stability after warm-up (mrad)	<0.05	
Beam height from base plate (mm)	24.8	
Operating temperature (°C)	10-35	
Dimensions of laser head (mm)	224(L)×98(W) ×60(H) mm <sup>3</sup>	
Weight of laser head (kg)	1.9 kg	
<b>Power supply</b>		
High Power Elite AOM Power Supply ( <b>Y=AH</b> )	Input voltage	90-264VAC
	Dimensions	269(L) ×181(W) ×104(H) mm <sup>3</sup>
	Weight	2.7 kg
	Notes	Fixed output power
Modulation	1MHz	
Expected lifetime (hours)	10,000	
Warranty period	10 months	
FDA Compliance	FDA CDRH Title 21 CFR 1040.10/11 Class IIIb	

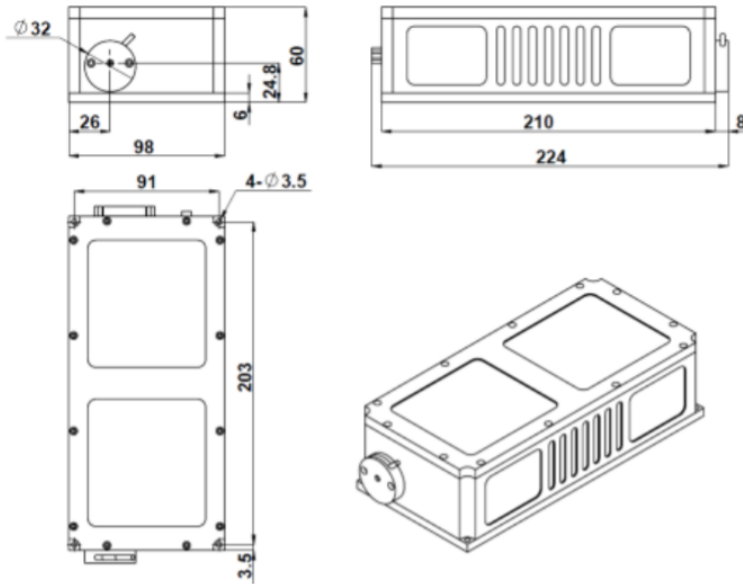
Remarks:

- Specifications of the CW laser is based on the laser performance at full power output after the specified warmup period. The stability of output power may change when output power is adjusted at a different power level.

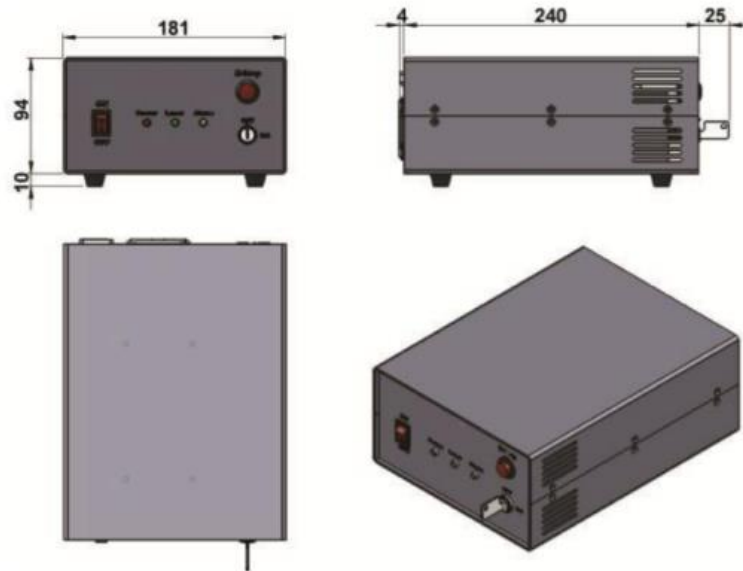


**Outline Dimensions (unit: mm)**

**Laser Head**



**Power Supply**



Note: The above specifications are subject to change without notice.