



SLMDS457 Series Frequency Stabilized 457nm Single Longitudinal Mode Laser System up to 400mW

Overview

The SLMDS457 series frequency stabilized single longitudinal mode laser is ideal for applications that require a wavelength of 457nm and output power levels up to 400mW. The laser features stable frequency and internal SLM calibration, and FDA-compliant system with driver. The laser is widely used in scientific experiment, medical measurement, instrument, spectrum analysis and many other applications.



Specifications

Model Number	SLMDS457-XYPZ	
Wavelength (nm)	457±1	
Operating mode	CW	
Output power (mW)	>30 (X=30), >50 (X=50), >100 (X=100), >150 (X=150), >200 (X=200), >300 (X=300), >400 (X=400)	
Power stability (rms, over 4 hours)	<3% (P=E), <2% (P=2), <1% (P=D)	
Transverse mode	TEM ₀₀	
Longitudinal mode	Single	
Spectral linewidth (nm)	<0.00001	
Coherent length (m)	>50	
Frequency shift over 8 hours (MHz)	<±200 (±0.15pm)	
Noise of amplitude (rms, 1Hz-20MHz)	<1% (Z=1), <0.5% (Z=L)	
Beam diameter at aperture (1/e ² , mm)	<1.5	
Beam divergence, full angle (mrad)	<1.5	
M ² factor	<1.5	
Polarization ratio	>100:1, Horizontal ±5 degree	
Warm-up time (minutes)	<30	
Pointing stability after warm-up (urad/°C)	<6	
Beam height from base plate (mm)	47.4	
Cooled method	Water cooled	
Operating temperature (°C)	15-35	
Dimensions of laser head (mm)	223.5(L)×115(W) ×75(H) mm ³	
Weight of laser head (kg)	2.1 kg	
Power supply		
High Power Elite Power Supply (Y=H)	Input voltage	90-264VAC
	Dimensions	275(L) ×145(W) ×104(H) mm ³
	Weight	2.3 kg
	Notes	Fixed output power
Expected lifetime (hours)	10,000	
Warranty period	10 months	
FDA Compliance	FDA CDRH Title 21 CFR 1040.10/11 Class IIIb	

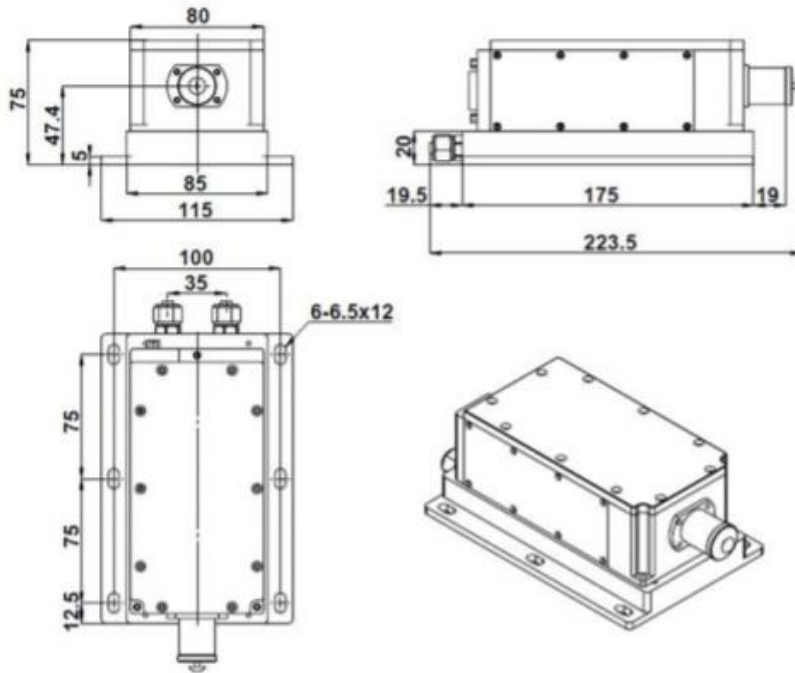
Remarks:

- The laser head needs to be used on a water-cooling system.
- Specifications of the CW laser is based on the laser performance at full power output after the specified warmup period. The stability of output power may change when output power is adjusted at a different power level.

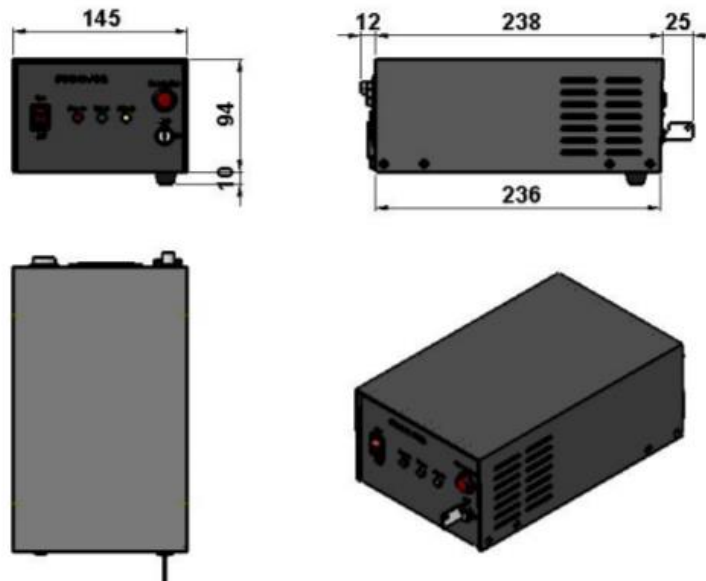


Outline Dimensions (unit: mm)

Laser Head



Power Supply



Note: The above specifications are subject to change without notice.