



## SLMAO1064 Series 1064nm Single Longitudinal Mode Laser System up to 200uJ

### Overview

The SLMAO1064 series single longitudinal mode laser is ideal for applications that require a wavelength of 1064nm and single pulse energy levels up to 200uJ. The laser features single longitudinal mode, high power, long lifetime, easy operating, and FDA-compliant system with driver. The laser is widely used in DNA sequencing, flow cytometry, cell sorting, optical instrument, spectrum analysis, interference, measurement, holography, physics experiment, and many other applications.

### Specifications

<b>Model Number</b>	<b>SLMAO1064-XYP</b>	
Wavelength (nm)	1064±1	
Operating mode	Acousto-Optic Q-Switched	
Single pulse energy (uJ)	~30 ( <b>X=30</b> ), ~50 ( <b>X=50</b> ), ~100 ( <b>X=100</b> ), ~150 ( <b>X=150</b> ), ~200 ( <b>X=200</b> )	
Average power stability (over 4 hours)	<5% ( <b>P=A</b> ), <3% ( <b>P=E</b> )	
Longitudinal mode	Single	
Pulse duration (ns)	<25	
Peak power (W)	Peak Power (W) = Single Pulse Energy (µJ) / Pulse Duration (µs)	
Repetition rate (Hz)	1-1000	
Beam diameter at aperture (1/e <sup>2</sup> , mm)	~2	
Beam divergence, full angle (mrad)	<2	
Polarization ratio	>100:1	
Warm-up time (minutes)	<20	
Beam height from base plate (mm)	59	
Operating temperature (°C)	20-30	
Cooled method	Water cooled	
Dimensions of laser head (mm)	432(L)×218(W) ×82(H) mm <sup>3</sup>	
Weight of laser head (kg)	9 kg	
Power supply		
AOM Power Supply ( <b>Y=AU</b> )	Input voltage	90-264VAC
	Dimensions	483.5(L) ×454(W) ×147.5(H) mm <sup>3</sup>
	Weight	8.3 kg
Dimensions of water chiller (mm)	587.5(L)×482(W) ×187.5(H) mm <sup>3</sup>	
Weight of water chiller (kg)	17 kg	
Expected lifetime (hours)	10,000	
Warranty period	10 months	
FDA Compliance	FDA CDRH Title 21 CFR 1040.10/11 Class IV	

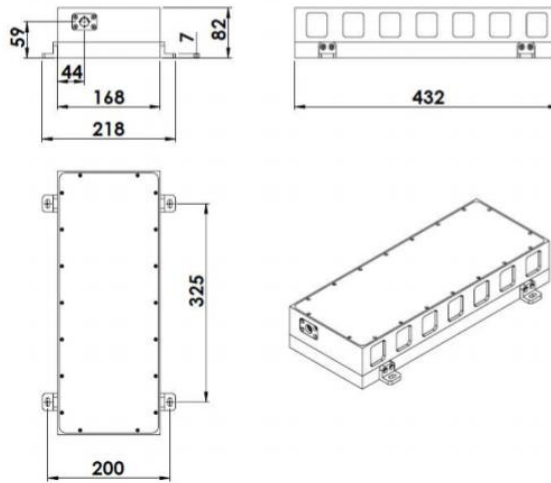
#### Remarks:

- Specifications of the Q-switched pulsed laser is based on the laser pulsed at the specified repetition rate. If the laser is run at a different repetition rate, the output characteristics may change.

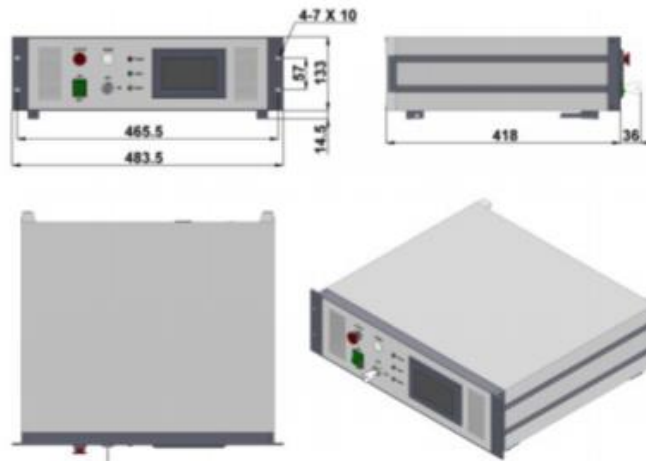


**Outline Dimensions (unit: mm)**

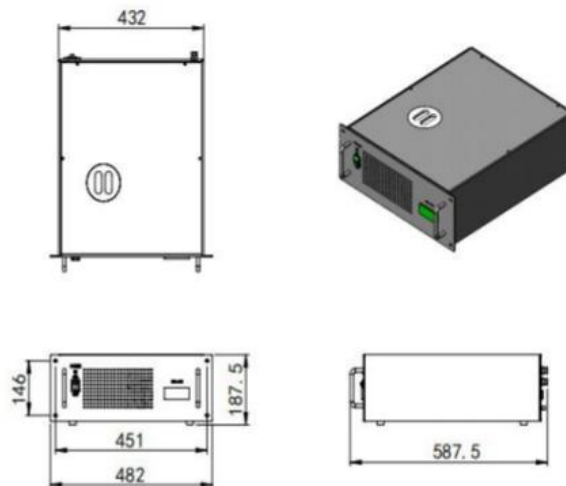
**Laser Head**



**Power Supply**



**Water Chiller**



Note: The above specifications are subject to change without notice.