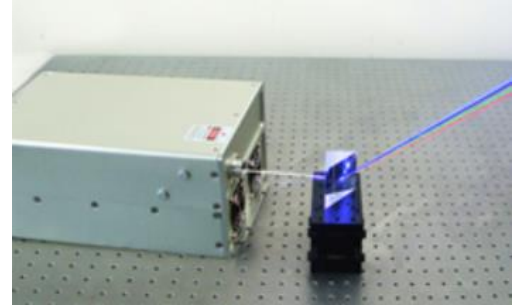




RGB671G473 Series 671nm/532nm/473nm Triple Wavelength Laser System up to 300mW

Overview

The RGB671G473 series multi-wavelength laser is ideal for applications that require three wavelengths at 671nm, 532nm, and 473nm, and output power levels up to 300mW. The laser can generate various colors, such as red, orange, yellow, green, indigo, blue, and purple. The laser is widely used in scientific research, medical treatment, OEM field and multimedia entertainment.



Specifications

Model Number	RGB671G473-XPQ	
Wavelength (nm)	Red at 671nm, Green at 532nm, Blue at 473nm	
Total output power (mW)	>50 (X=50), >100 (X=100), >200 (X=200), >300 (X=300)	
Transverse mode	TEM ₀₀ /TEM ₀₀ /TEM ₀₀	
Operating mode	CW	
Power stability (rms, over 4 hours)	<5% (P=A), <3% (P=E), <2% (P=2)	
Beam diameter at aperture (1/e ² , mm)	<3.0	
Beam divergence, full angle (mrad)	<1.5	
Warm-up time (minutes)	<10	
Operating temperature (°C)	10-35	
Dimensions of laser head (mm)	353(L)×211(W) ×136(H) mm ³	
Weight of laser head (kg)	13.0 kg	
RGB Laboratory Power Supply	Input voltage	100-240VAC
	Dimensions	305.5(L) ×215(W) ×120(H) mm ³
	Weight	5.0 kg
Modulation option	None (Q=0)	
	TTL	1Hz-1kHz (Q=T1), 1kHz-10kHz (Q=T2), 10kHz-30kHz (Q=T3)
	Analog	1Hz-1kHz (Q=A1), 1kHz-10kHz (Q=A2), 10kHz-30kHz (Q=A3)
Expected lifetime (hours)	10,000	
Warranty period	10 months	
FDA Compliance	FDA CDRH Title 21 CFR 1040.10/11 Class IV	

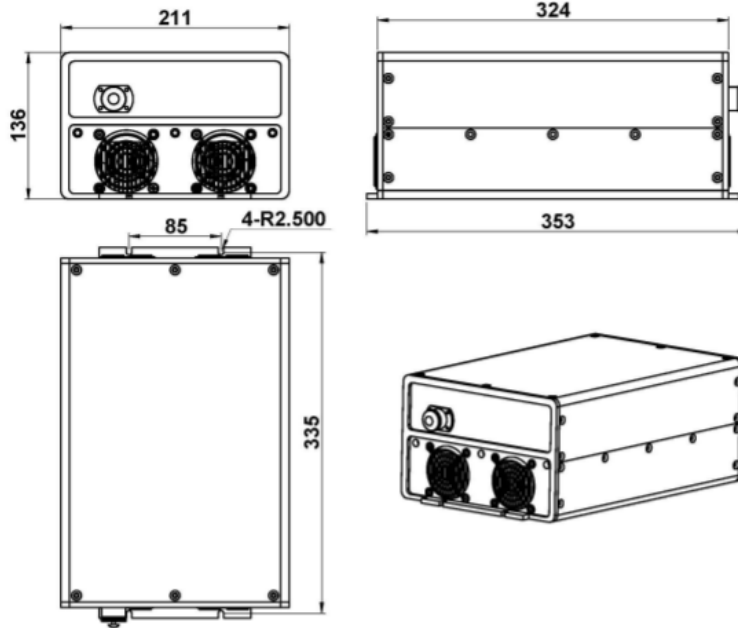
Remarks:

- Specifications of the CW laser is based on the laser performance at full power output after the specified warmup period. The stability of output power may change when output power is adjusted at a different power level.

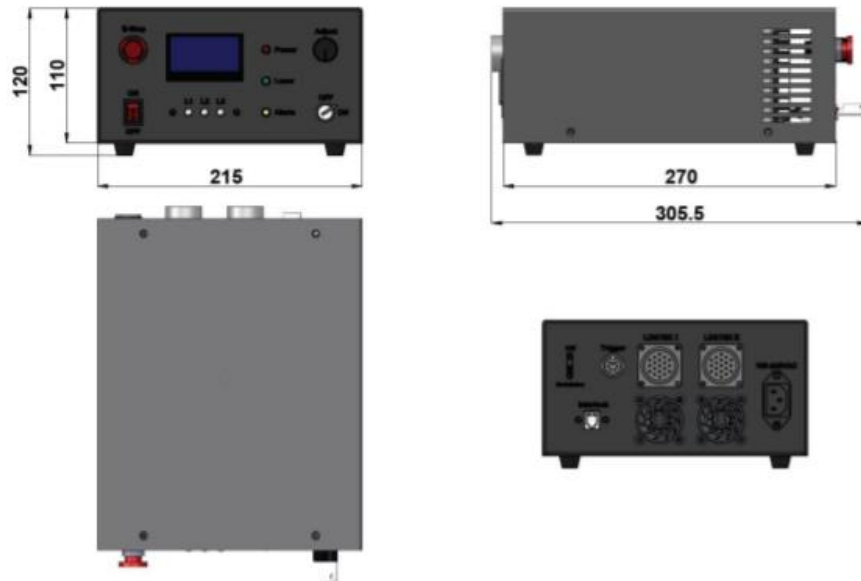


Outline Dimensions (unit: mm)

Laser Head



Power Supply



Note: The above specifications are subject to change without notice.