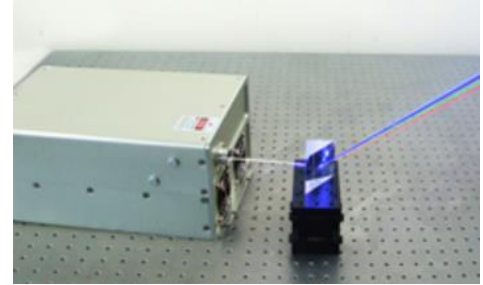




RGB655G473 Series 655nm/532nm/473nm Triple Wavelength Laser System up to 1000mW

Overview

The RGB655G473 series multi-wavelength laser is ideal for applications that require three wavelengths at 655nm, 532nm, and 473nm, and output power levels up to 1000mW. The laser can generate various colors, such as red, orange, yellow, green, indigo, blue, and purple. The laser is widely used in scientific research, medical treatment, OEM field and multimedia entertainment.



Specifications

Model Number		RGB655G473-XPQ
Wavelength (nm)		Red at 655nm, Green at 532nm, Blue at 473nm
Total output power (mW)		>100 (X=100), >200 (X=200), >500 (X=500), >800 (X=800), >1000 (X=1W)
Transverse mode		Multimode/TEM ₀₀ /Near TEM ₀₀
Operating mode		CW
Power stability (rms, over 4 hours)		<5% (P=A), <3% (P=E), <2% (P=2)
Beam diameter at aperture (1/e ² , mm)		<5x8
Beam divergence, full angle (mrad)		<3.0
Warm-up time (minutes)		<10
Operating temperature (°C)		10-35
Dimensions of laser head (mm)		353(L)x211(W) x136(H) mm ³
Weight of laser head (kg)		13.0 kg
RGB Laboratory Power Supply	Input voltage	100-240VAC
	Dimensions	305.5(L) x215(W) x120(H) mm ³
	Weight	5.0 kg
Modulation option		None (Q=0)
	TTL	1Hz-1kHz (Q=T1), 1kHz-10kHz (Q=T2), 10kHz-30kHz (Q=T3)
	Analog	1Hz-1kHz (Q=A1), 1kHz-10kHz (Q=A2), 10kHz-30kHz (Q=A3)
Expected lifetime (hours)		10,000
Warranty period		10 months
FDA Compliance		FDA CDRH Title 21 CFR 1040.10/11 Class IV

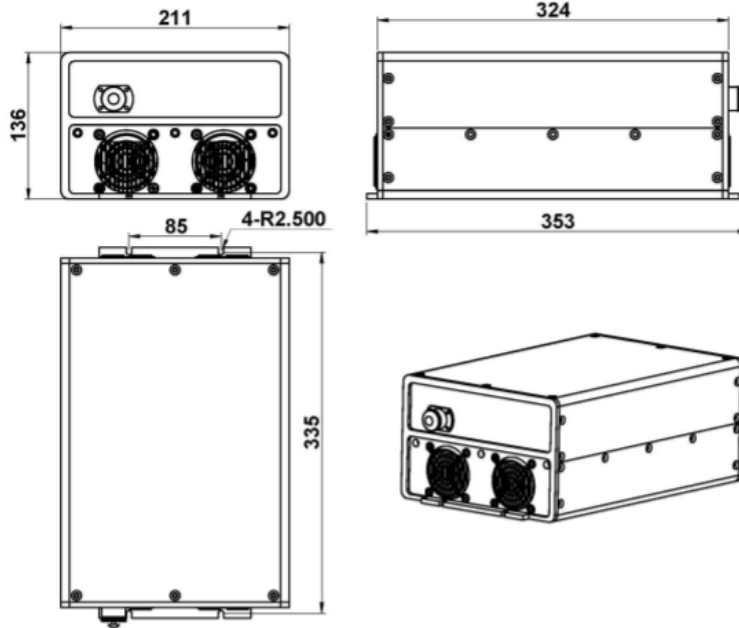
Remarks:

- Specifications of the CW laser is based on the laser performance at full power output after the specified warmup period. The stability of output power may change when output power is adjusted at a different power level.

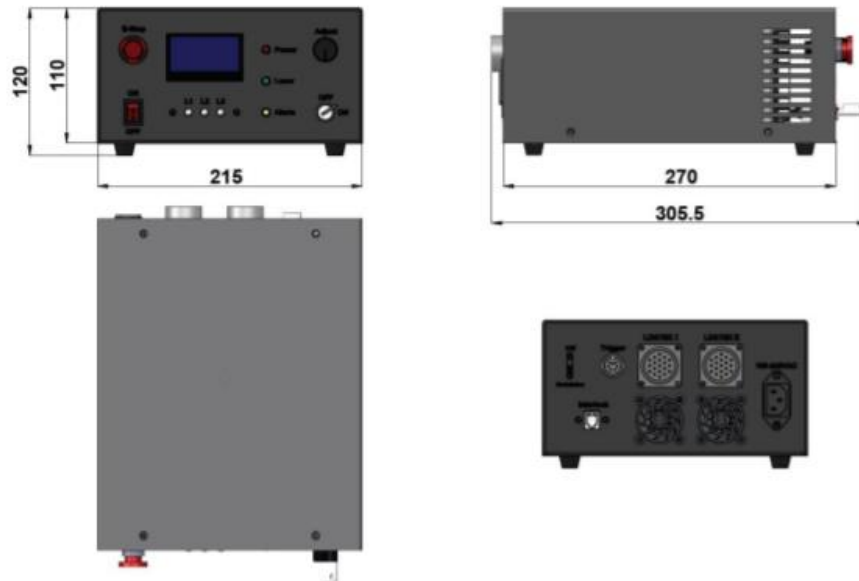


Outline Dimensions (unit: mm)

Laser Head



Power Supply



Note: The above specifications are subject to change without notice.