

## 650nm 25um RCLED Chip for Sensors

Part No. RCLC-65A25

### Features

- 650nm RCLED chip
- 25um emitting diameter

### Applications

- Industrial application
- Sensors



### Specifications

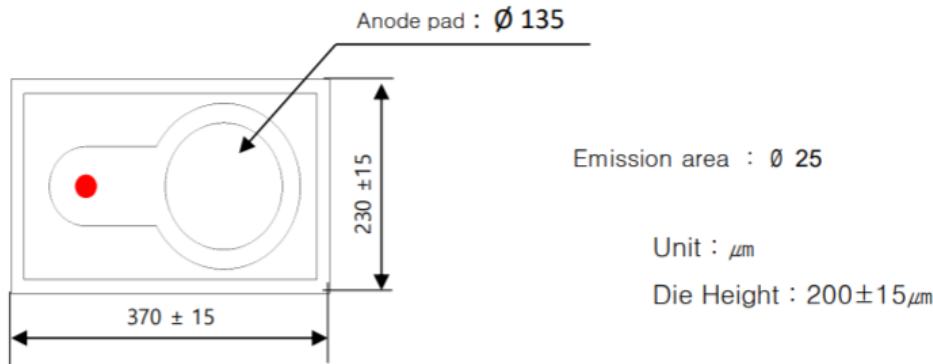
Absolute Maximum Ratings				
Parameters	Min.	Max.	Unit	Conditions
Storage temperature	-40	100	°C	
Operating temperature	-20	70	°C	
Continuous Forward Current		10	mA	
Continuous Reverse Voltage		5	V	

Electro-Optical Characteristics (T <sub>a</sub> =25°C unless otherwise stated)						
Parameters	Symbol	Min.	Typ.	Max.	Unit	Conditions
Total Radiant Flux	Φ <sub>o</sub>		0.2		mW	I <sub>f</sub> =5mA
Peak Wavelength	λ <sub>p</sub>	640	650	665	nm	I <sub>f</sub> =5mA
Beam Divergence	I <sub>R</sub>			100	nA	V <sub>R</sub> =10V
Forward Voltage	V <sub>f</sub>		2.1		V	I <sub>f</sub> =5mA

Notes:

- Test data were measured in TO-header of wire bonded chip.
- Value is referenced to the vender's measurement system (correlation to customer product is required).

### Outline Dimensions



### Additional Notes

- The inherent design of this component causes it to be sensitive to electrostatic discharge (ESD). To prevent ESD-induced damage and/or degradation to equipment, take normal ESD precautions when handling this product.
- Specifications are subject to change without notice.