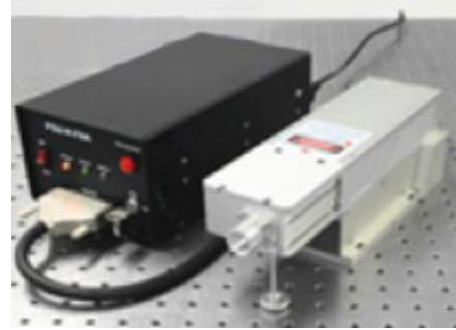




QSLW266 Series 266nm Passively Q-Switched Laser System up to 30uJ

Overview

The QSLW266 series diode pumped solid state (DPSS) passively Q-switched UV laser is ideal for applications that require a wavelength of 266nm and energy levels up to 30uJ. The laser is constructed with features of FDA compliance, ultra-compactness, long lifetime, and easy operation. The laser is widely used in UV curing, microelectronics, CD carving, laser medical treatment, scientific experiment, and many other applications.

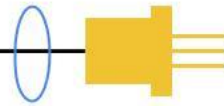


Specifications

Model Number		QSLW266-XYPR
Wavelength (nm)		266±1
Operating mode		Passively Q-switched
Single pulse energy (µJ)		~5 (X=5), ~10 (X=10), ~20 (X=20), ~30 (X=30)
Average power stability (rms, over 4 hours)		<5% (P=A), <3% (P=E)
Pulse duration (ns)		~5
Peak power (W)		Peak Power (W) = Single Pulse Energy (µJ) / Pulse Duration (µs)
Repetition rate (kHz)	Fixed	One fixed rep. rate internal between 1kHz-4kHz, such as 1kHz (R=S1), 2kHz (R=S2), 3kHz (R=S3) and 4kHz (R=S4) with stable pulse energy, pulse duration and pulse period.
	External Trigger	Rep. rate in the range of 1kHz-4kHz obtained by external trigger with stable pulse energy, pulse duration and pulse period. (R=C)
	QCW	QCW state with one rep. rate between 10kHz-20kHz. (R=U)
Average power (mW)		Average power (mW) = Single pulse energy (µJ) * Rep. rate (kHz)
Transverse mode		Near TEM ₀₀
Beam diameter at aperture (1/e ² , mm)		~2.0
Beam divergence, full angle (mrad)		<2.0
Warm-up time (minutes)		<10
Beam height from base plate (mm)		93.5
Operating temperature (°C)		10-35
Dimensions of laser head (mm)		421(L)×140(W) ×124.3(H) mm ³
Weight of laser head (kg)		6.0 kg
Power supply options		
High Power W Version Elite Power Supply (Y=W)	Input voltage	90-264VAC
	Dimensions	307(L) x168(W) x123(H) mm ³
	Weight	4.5 kg
	Notes	Fixed output power
High Power W Version Laboratory Power Supply (Y=N)	Input voltage	90-264VAC
	Dimensions	336(L) x168(W) x133(H) mm ³
	Weight	4.6 kg
	Notes	Adjustable output power
Expected lifetime (hours)		8,000
Warranty		10 months
FDA Compliance		FDA CDRH Title 21 CFR 1040.10/11 Class IV

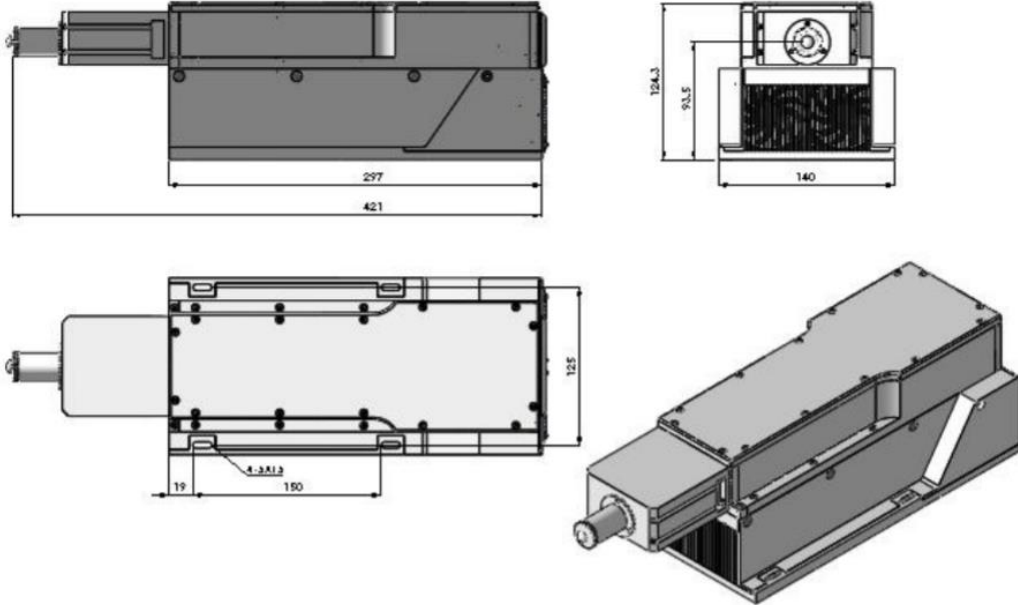
Remarks:

- Due to the Walk-off effect of nonlinear crystals, the beam quality of the UV laser is not as good as that of the 1064/532nm laser.
- Specifications of the Q-switched pulsed laser is based on the laser pulsed at the specified repetition rate. If the laser is run at a different repetition rate, the output characteristics may change.



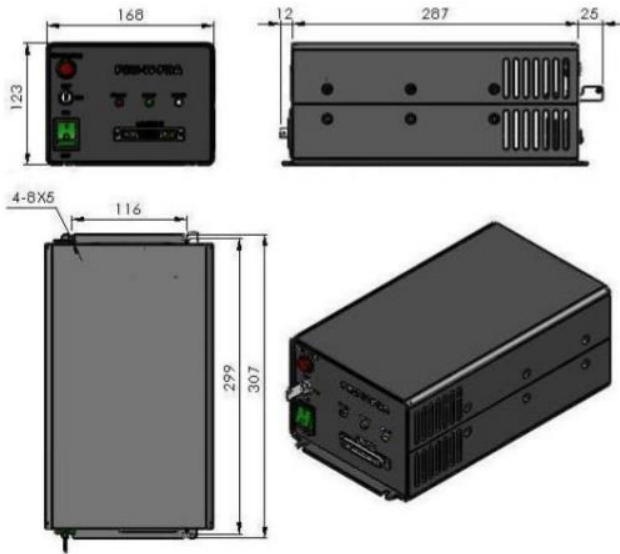
Outline Dimensions (unit: mm)

Laser Head



Power Supply

High Power W Version Elite Power Supply (Y=W)



High Power W Version Laboratory Power Supply (Y=N)



Note: The above specifications are subject to change without notice.