



QSLN515 Series 515nm Passively Q-Switched Laser System up to 60mW

Overview

The QSLN515 series diode pumped solid state (DPSS) Q-switched laser is ideal for applications that require a wavelength of 515nm and output power levels up to 60mW. The laser features a compact design, long lifetime, easy operation, and FDA-compliant system with driver. The laser is widely used in laser fluorescence, scientific experiment, and many other applications.



Specifications

Model Number	QSLN515-XYPR	
Central wavelength (nm)	515±1	
Transverse mode	Near TEM ₀₀	
Operating mode	Frequency conversion of Q-switched pulsed laser	
Average power (mW)	~10 (X=10), ~30 (X=30), ~50 (X=50), ~60 (X=60)	
Single pulse energy (µJ)	Single pulse energy (µJ) = Average power (mW) / Rep. rate (kHz)	
Pulse duration (ns)	~10	
Peak power (W)	Peak Power (W) = Single Pulse Energy (µJ) / Pulse Duration (µs)	
Repetition rate (kHz)	QCW	QCW state with one rep. rate between 1kHz-2kHz. (R=U)
Average power stability (rms, over 4 hours)	<10% (P=B)	
M ² factor	<2.0	
Beam diameter at aperture (1/e ² , mm)	~3.0	
Beam divergence, full angle (mrad)	<2.0	
Warm-up time (minutes)	<10	
Beam height from base plate (mm)	70	
Operating temperature (°C)	10-35	
Dimensions of laser head (mm)	250(L)×99(W) ×94(H) mm ³	
Weight of laser head (kg)	2.6 kg	
Power supply options		
High Power Elite Power Supply (Y=H)	Input voltage	90-264VAC
	Dimensions	307(L) ×150(W) ×106(H) mm ³
	Weight	2.9 kg
	Features	Fixed output power
High Power Laboratory Power Supply (Y=M)	Input voltage	90-264VAC
	Dimensions	307(L) ×150(W) ×106(H) mm ³
	Weight	2.9 kg
	Features	Adjustable output power
Cooling system	Air	
Expected lifetime (hours)	10000	
Warranty period	10 months	
FDA Compliance	FDA CDRH Title 21 CFR 1040.10/11 Class IIIb	

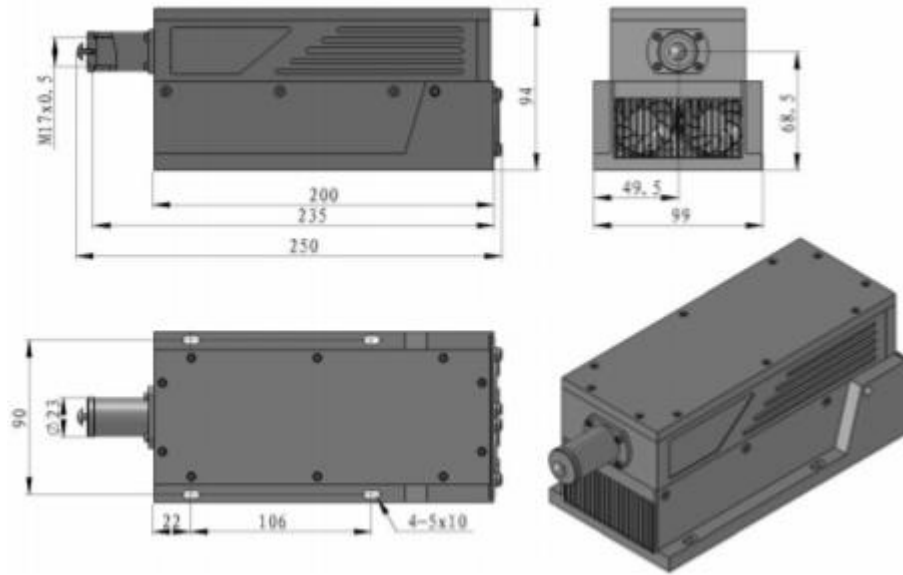
Remarks:

- Specifications of the Q-switched pulsed laser is based on the laser pulsed at the specified repetition rate. If the laser is run at a different repetition rate, the output characteristics may change.



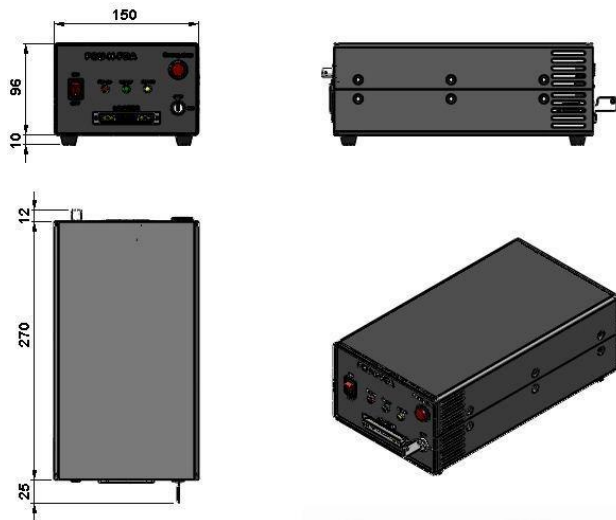
Outline Dimensions (unit: mm)

Laser Head

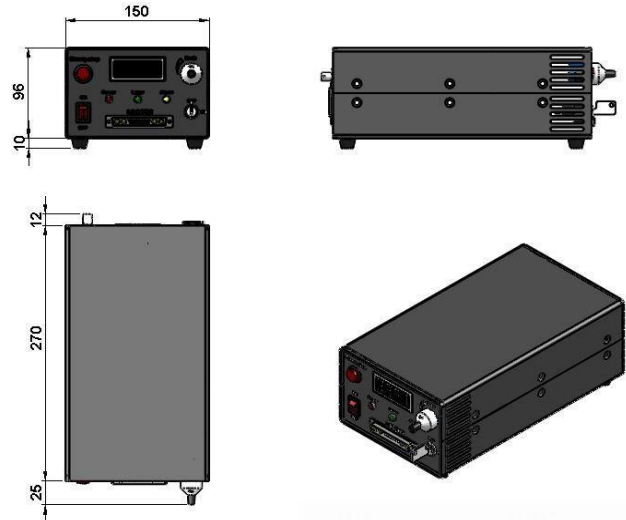


Power Supply Options

High Power Elite Power Supply (Y=H)



High Power Laboratory Power Supply (Y=M)



Note: The above specifications are subject to change without notice.