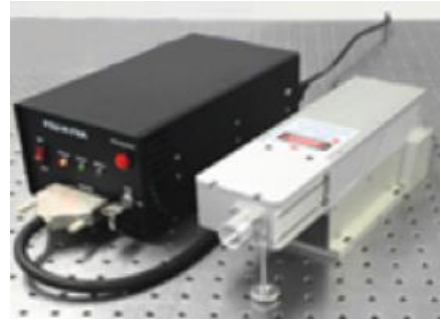




## QSLN355 Series 355nm Passively Q-Switched Laser System up to 50μJ

### Overview

The QSLN355 series diode pumped solid state (DPSS) Q-switched UV laser is ideal for applications that require a wavelength of 355nm and single pulse energy levels up to 50μJ. The laser features a compact design, long lifetime, easy operation, and FDA-compliant system with driver. The laser is widely used in UV curing, microelectronics, CD carving, laser medical treatment, scientific experiment, and many other applications.



### Specifications

<b>Model Number</b>		<b>QSLN355-XYPR</b>	
Central wavelength (nm)		355±1	
Transverse mode		Near TEM <sub>00</sub>	
Operating mode		Frequency conversion of Q-switched pulsed laser	
Single pulse energy (μJ)		~10 (X=10), ~15 (X=15)	~20 (X=20), ~30 (X=30), ~50 (X=50)
Pulse duration (ns)		~1.3	~7
Peak power (W)		Peak Power (W) = Single Pulse Energy (μJ) / Pulse Duration (μs)	
Repetition rate (kHz)	Fixed	One fixed rep. rate internal between 3kHz-5kHz, such as 3kHz (R=S3), 4kHz (R=S4) and 5kHz (R=S5) with stable pulse energy, pulse duration and pulse period.	
	External Trigger	Rep. rate in the range of 3kHz-5kHz obtained by external trigger with stable pulse energy, pulse duration and pulse period. (R=C)	
	QCW	QCW state with one rep. rate between 10kHz-15kHz. (R=U)	
Average power (mW)		Average power (mW) = Single pulse energy (μJ) * Rep. rate (kHz)	
Average power stability (rms, over 4 hours)		<5% (P=A), <3% (P=E)	
Warm-up time (minutes)		<10	
Beam height from base plate (mm)		70	
Operating temperature (°C)		10~35	
Dimensions of laser head (mm)		321(L)×99(W) ×94(H) mm <sup>3</sup>	
Weight of laser head (kg)		3.2 kg	
Power supply options			
High Power Elite Power Supply (Y=H)	Input voltage	90-264VAC	
	Dimensions	307(L) ×150(W) ×106(H) mm <sup>3</sup>	
	Weight	2.9 kg	
	Features	CW mode with complete FDA compliant features, such as the turnkey switch and interlock, and easy to operate	
High Power Laboratory Power Supply (Y=M)	Input voltage	90-264VAC	
	Dimensions	307(L) ×150(W) ×106(H) mm <sup>3</sup>	
	Weight	2.9 kg	
	Features	Complete FDA compliant features, such as the turnkey switch and interlock, and many other functions; CW mode with adjustable output power knob and operating current LED display	
Cooling system		Air	
Expected lifetime (hours)		5000	
Warranty period		10 months	
FDA Compliance		FDA CDRH Title 21 CFR 1040.10/11 Class IV	

#### Remarks:

- Due to the Walk-off effect of nonlinear crystals, the beam quality of the UV laser is not as good as that of the 1064/532nm laser.
- Specifications of the Q-switched pulsed laser is based on the laser pulsed at the specified repetition rate. If the laser is run at a different repetition rate, the output characteristics may change.
- Specifications are subject to change without notice.

**Lasermate Group, Inc.**

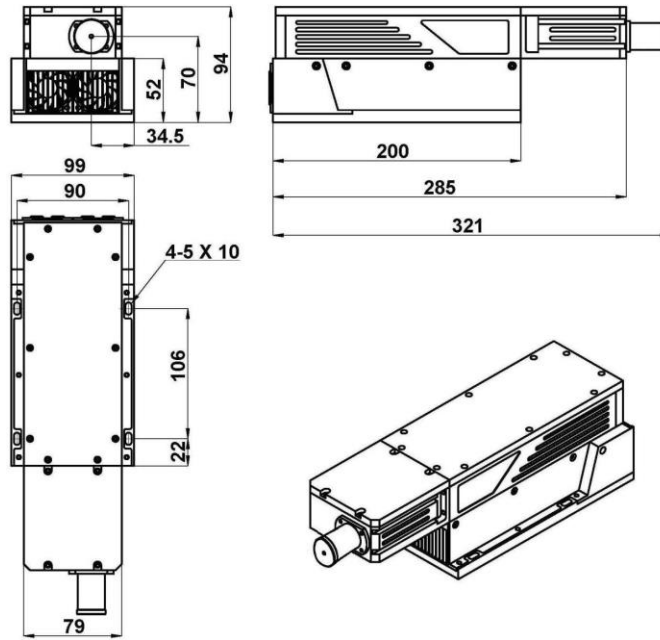
19608 Camino De Rosa, Walnut, CA 91789, USA

Tel: (909)718-0999 | Fax: (909)718-0998 | E-mail: [info@lasermate.com](mailto:info@lasermate.com) | URL: <http://www.lasermate.com>



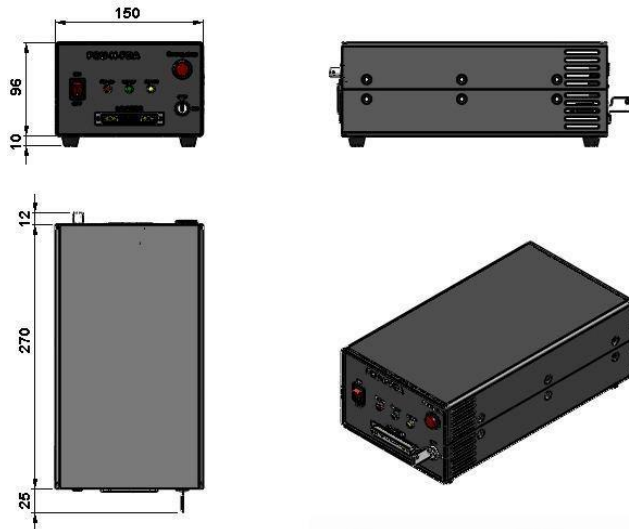
**Outline Dimensions (unit: mm)**

**Laser Head**

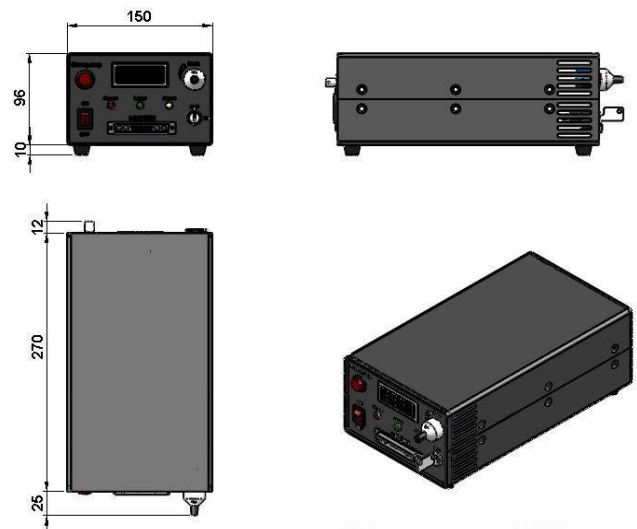


**Power Supply Options**

**High Power Elite Power Supply (Y=H)**



**High Power Laboratory Power Supply (Y=M)**



Note: The above specifications are subject to change without notice.