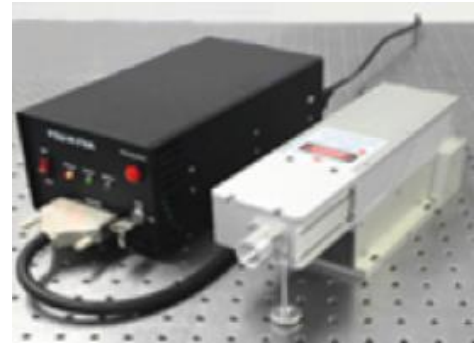




QSLN266 Series 266nm Passively Q-Switched Laser System up to 10uJ

Overview

The QSLN266 series diode pumped solid state (DPSS) Q-switched UV laser is ideal for applications that require a wavelength of 266nm and energy levels up to 10uJ. The laser is constructed with features ultra-compactness, long lifetime, easy operation, and FDA-compliant system with driver. The laser is widely used in UV curing, microelectronics, CD carving, laser medical treatment, scientific experiment, and many other applications.



Specifications

Model Number		QSLN266-XYPR	
Central wavelength (nm)		266±1	
Transverse mode		Near TEM ₀₀ , elliptical	
Operating mode		Frequency conversion of Q-switched pulsed laser	
Single pulse energy (µJ)		~1 (X=1), ~2 (X=2), ~3 (X=3)	~10 (X=10)
Pulse duration (ns)		~1.3	~6
Peak power (W)		Peak Power (W) = Single Pulse Energy (µJ) / Pulse Duration (µs)	
Repetition rate (kHz)	Fixed	One fixed rep. rate internal between 3kHz-5kHz, such as 3kHz (R=S3), 4kHz (R=S4) and 5kHz (R=S5) with stable pulse energy, pulse duration and pulse period.	
	External Trigger	Rep. rate in the range of 3kHz-5kHz obtained by external trigger with stable pulse energy, pulse duration and pulse period. (R=C)	
	QCW	QCW state with one rep. rate between 10kHz-15kHz. (R=U)	
Average power (mW)		Average power (mW) = Single pulse energy (µJ) * Rep. rate (kHz)	
Average power stability (rms, over 4 hours)		<5% (P=A)	
Beam parameters		Elliptical (4:1), Beam spot 0.5*2mm	
Warm-up time (minutes)		<10	
Beam height from base plate (mm)		70	
Operating temperature (°C)		10~35	
Dimensions of laser head (mm)		321(L)x99(W) x94(H) mm ³	
Weight of laser head (kg)		3.215 kg	
Power supply options			
High Power Elite Power Supply (Y=H)	Input voltage	90-264VAC	
	Dimensions	307(L) x150(W) x106(H) mm ³	
	Weight	2.9 kg	
	Features	Fixed output power	
High Power Laboratory Power Supply (Y=M)	Input voltage	90-264VAC	
	Dimensions	307(L) x150(W) x106(H) mm ³	
	Weight	2.9 kg	
	Features	Adjustable output power	
Cooling system		Air	
Expected lifetime (hours)		5000	
Warranty period		10 months	
FDA Compliance		FDA CDRH Title 21 CFR 1040.10/11 Class IV	

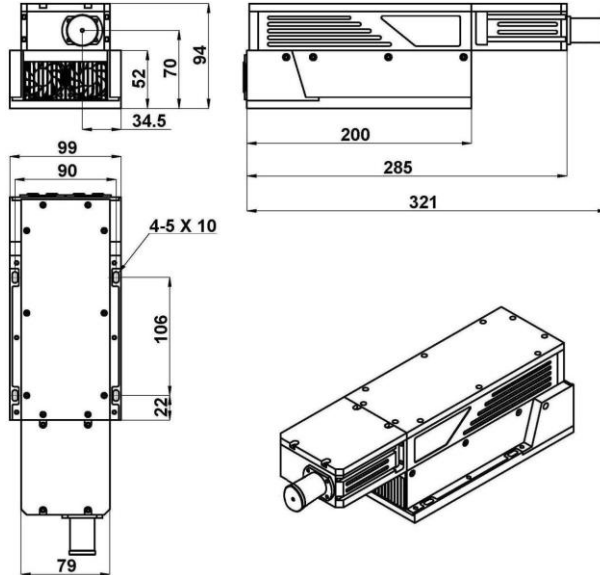
Remarks:

- Due to the Walk-off effect of nonlinear crystals, the beam quality of the UV laser is not as good as that of the 1064/532nm laser.
- Specifications of the Q-switched pulsed laser is based on the laser pulsed at the specified repetition rate. If the laser is run at a different repetition rate, the output characteristics may change.



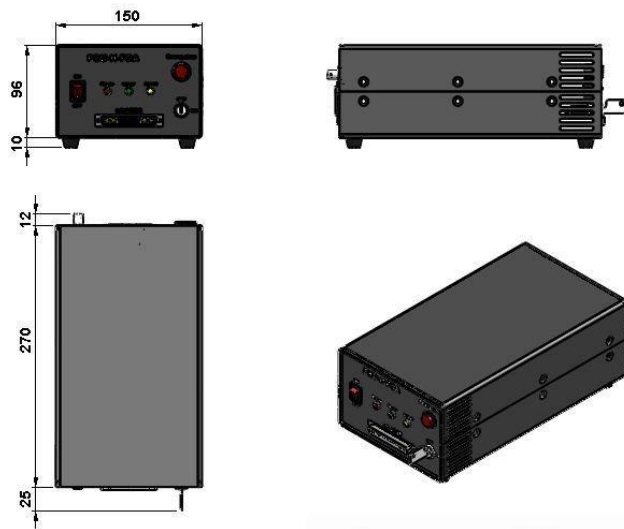
Outline Dimensions (unit: mm)

Laser Head

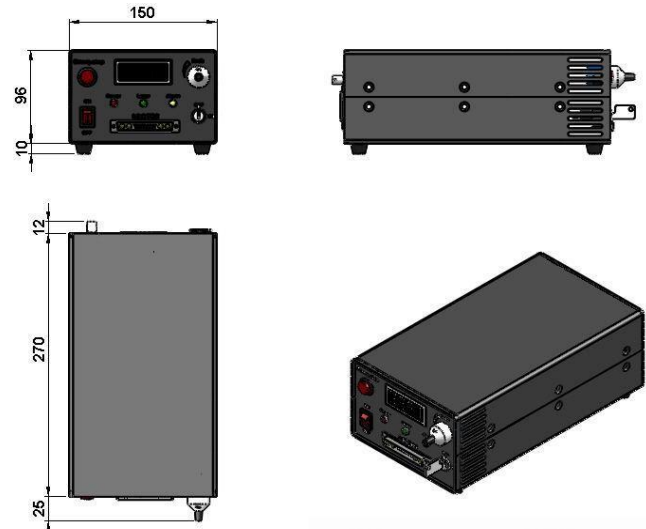


Power Supply

High Power Elite Power Supply (Y=H)



High Power Laboratory Power Supply (Y=M)



Note: The above specifications are subject to change without notice.