



QSLN1064 Series 1064nm Passively Q-Switched Laser System up to 200uJ

Overview

The QSLN1064 series diode pumped solid state (DPSS) Q-switched laser is ideal for applications that require a wavelength of 1064nm and single pulse energy levels up to 200uJ. The laser features a compact design, long lifetime, easy operation, and FDA-compliant system with driver. The laser is widely used in laser marking on diamond, metal, steel, IC, plastics, package and logos, scientific research, and many other applications.



Specifications

Model Number		QSLN1064-XYPR
Central wavelength (nm)		1064±1
Transverse mode		TEM ₀₀
Operating mode		Frequency conversion of Q-switched pulsed laser
Single pulse energy (µJ)		~100 (X=100), ~200 (X=200)
Pulse duration (ns)		~2.0
Peak power (W)		Peak Power (W) = Single Pulse Energy (µJ) / Pulse Duration (µs)
Repetition rate (kHz)	Fixed	One fixed rep. rate internal between 1kHz-10kHz, such as 1kHz (R=S1), 2kHz (R=S2), 3kHz (R=S3), 4kHz (R=S4), 5kHz (R=S5), 6kHz (R=S6), 7kHz (R=S7), 8kHz (R=S8), 9kHz (R=S9), and 10kHz (R=S10) with stable pulse energy, pulse duration and pulse period.
	External Trigger	Rep. rate in the range of 1kHz-10kHz obtained by external trigger with stable pulse energy, pulse duration and pulse period. (R=C)
	QCW	QCW state with one rep. rate between 1kHz-15kHz. (R=U)
Average power stability (rms, over 4 hours)		<5% (P=A), <3% (P=E), <2% (P=2), <1% (P=D)
Average power (mW)		Average power (mW) = Single pulse energy (µJ) * Rep. rate (kHz)
M ² factor		<1.2
Beam divergence, full angle (mrad)		<1.5
Beam diameter at aperture (1/e ² , mm)		~2.0
Warm-up time (minutes)		<10
Beam height from base plate (mm)		68.5
Operating temperature (°C)		10-35
Dimensions of laser head (mm)		205(L)x99(W) x94(H) mm ³
Weight of laser head (kg)		2.6 kg
Power supply options		
High Power Elite Power Supply (Y=H)	Input voltage	90-264VAC
	Dimensions	275(L) x145(W) x104(H) mm ³
	Weight	2.3 kg
	Features	Fixed output power
High Power Laboratory Power Supply (Y=M)	Input voltage	90-264VAC
	Dimensions	277(L) x145(W) x106(H) mm ³
	Weight	2.6 kg
	Features	Adjustable output power
Expected lifetime (hours)		10000
Warranty period		10 months
FDA Compliance		FDA CDRH Title 21 CFR 1040.10/11 Class IV

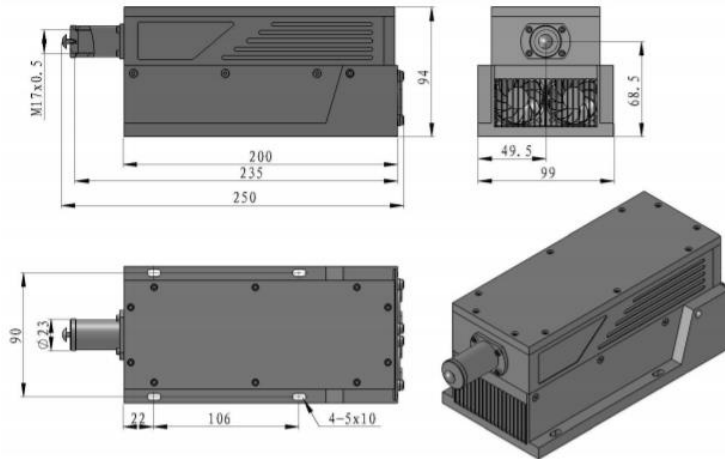
Remarks:

- Specifications of the Q-switched pulsed laser is based on the laser pulsed at the specified repetition rate. If the laser is run at a different repetition rate, the output characteristics may change.



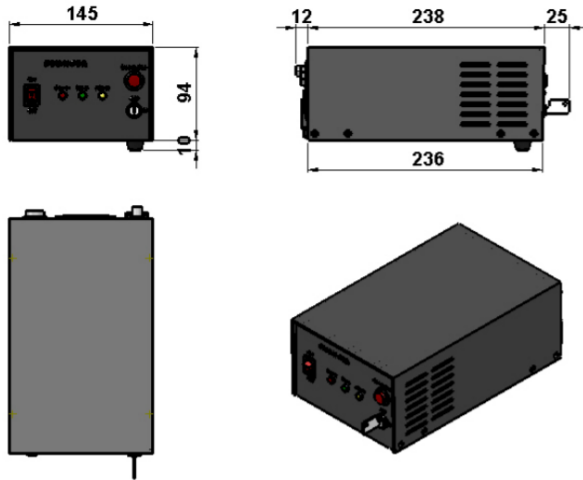
Outline Dimensions (unit: mm)

Laser Head



Power Supply Options

High Power Elite Power Supply (Y=H)



High Power Laboratory Power Supply (Y=M)



Note: The above specifications are subject to change without notice.