



QSLH1064 Series 1064nm Passively Q-Switched Laser System up to 100uJ

Overview

The QSLH1064 series diode pumped solid state (DPSS) Q-switched laser is ideal for applications that require a wavelength of 1064nm and single pulse energy levels up to 100uJ. The laser features high peak power, high repetition rate, and short pulse duration. The laser is widely used in industry marking on diamond or stone, teaching of nonlinear optics, fiber communication, and many other applications.



Specifications

Model Number		QSLH1064S-XYPR	QSLH1064-XYPR
Wavelength (nm)		1064±1	
Operating mode		Frequency conversion of Q-switched pulsed laser	
Single pulse energy (µJ)		~30 (X=30), ~40 (X=40)	~50 (X=50), ~100 (X=100)
Average power stability (rms, over 4 hours)		<3% (P=E), <2% (P=2), <1% (P=D)	
Pulse duration (ns)		~1.5	~10
Peak power (W)		Peak Power (W) = Single Pulse Energy (µJ) / Pulse Duration (µs)	
Repetition rate (kHz)	Fixed	One fixed rep. rate internal between 1kHz-4kHz, such as 1kHz (R=S1), 2kHz (R=S2), 3kHz (R=S3) and 4kHz (R=S4) with stable pulse energy, pulse duration and pulse period.	
	External Trigger	Rep. rate in the range of 1kHz-4kHz obtained by external trigger with stable pulse energy, pulse duration and pulse period. (R=C)	
	QCW	QCW state with one rep. rate between 5kHz-30kHz. (R=U)	
Average power (mW)		Average power (mW) = Single pulse energy (µJ) * Rep. rate (kHz)	
Transverse mode		TEM ₀₀	
Beam divergence, full angle (mrad)		<1.8	
Beam diameter at aperture (mm)		~1.5	
M ² factor		<1.5	
Warm-up time (minutes)		<10	
Beam height from base plate (mm)		29	
Operating temperature (°C)		10-35	
Dimensions of laser head (mm)		154.5(L)×77(W) ×60(H) mm ³	
Weight of laser head (kg)		0.9 kg	
Power supply			
High Power Elite Power Supply (Y=H)	Input voltage	90-264VAC	
	Dimensions	275(L) ×145(W) ×104(H) mm ³	
	Weight	2.3 kg	
	Notes	Fixed output power	
Warranty period		10 months	
Expected lifetime (hours)		10,000	
FDA Compliance		FDA CDRH Title 21 CFR 1040.10/11 Class IV	

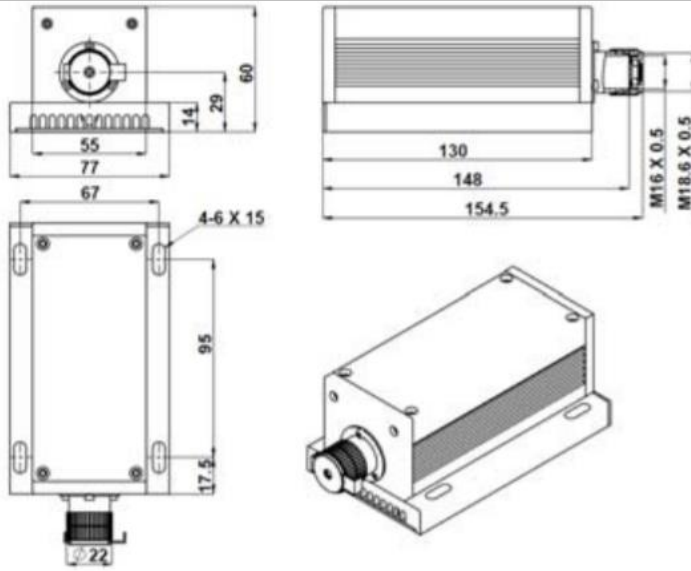
Remarks:

- UV laser at 266nm or 355nm can be generated by QSLH1064 or QSLH532 by frequency doubler.
- Specifications of the Q-switched pulsed laser is based on the laser pulsed at the specified repetition rate. If the laser is run at a different repetition rate, the output characteristics may change.

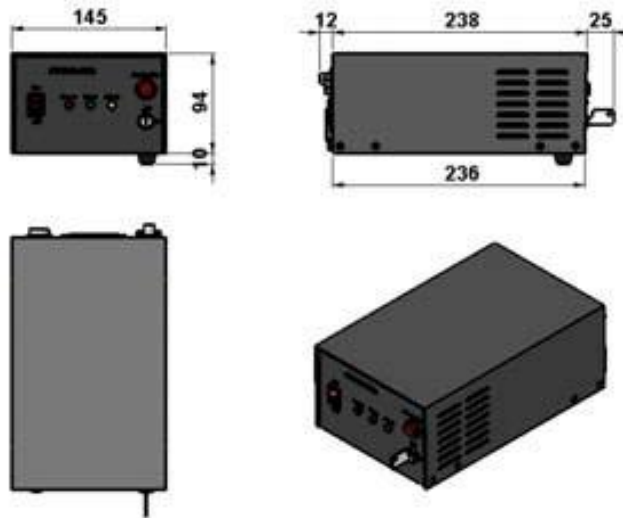


Outline Dimensions (unit: mm)

Laser Head



Power Supply



Note: The above specifications are subject to change without notice.