



QSLF261 Series 261nm Passively Q-Switched Laser System up to 10mW

Overview

The QSLF261 series diode pumped solid state (DPSS) q-switched laser is ideal for applications that require a wavelength of 261nm and output power levels up to 10mW. The laser features a compact design, long lifetime, easy operation, and FDA-compliant system with driver. It is widely used in UV curing, microelectronics, CD carving, laser medical treatment, scientific experiment, and many other applications.



Specifications

Model Number		QSLF261-XYPR
Central wavelength (nm)		261±1
Operating mode		Frequency conversion of Q-switched pulsed laser
Output power (mW)		~3 (X=3), ~5 (X=5), ~10 (X=10)
Average power stability (rms, over 4 hours)		<10% (P=B), <5% (P=A)
Pulse duration (ns)		~4
Peak power (W)		Peak Power (W) = Single Pulse Energy (μJ) / Pulse Duration (μs)
Repetition rate (kHz)	Fixed	One fixed rep. rate internal at 1kHz (R=S1) with stable pulse energy, pulse duration and pulse period.
	External Trigger	Rep. rate at 1kHz obtained by external trigger with stable pulse energy, pulse duration and pulse period. (R=C)
	QCW	QCW state with one rep. rate between 2kHz-3kHz. (R=U)
Average power (mW)		Average power (mW) = Single pulse energy (μJ) * Rep. rate (kHz)
Transverse mode		Near TEM ₀₀
Beam parameters		Elliptical (4:1), Beam spot ~2mm
M ² factor		<1.5
Spectral purity		>99%
Polarization ratio		>50:1
Warm-up time (minutes)		<10
Beam height from base plate (mm)		45
Operating temperature (°C)		10~35
Dimensions of laser head (mm)		245.5(L)x88(W) x74(H) mm ³
Weight of laser head (kg)		2.0 kg
Power supply		
High Power Elite Power Supply (Y=H)	Input voltage	90-264VAC
	Dimensions	238(L) x145(W) x104(H) mm ³
	Weight	2.3 kg
	Notes	CW mode with complete FDA compliant features, such as the turnkey switch and interlock, and easy to operate
Expected lifetime (hours)		5,000
Warranty		10 months
FDA Compliance		FDA CDRH Title 21 CFR 1040.10/11 Class IV

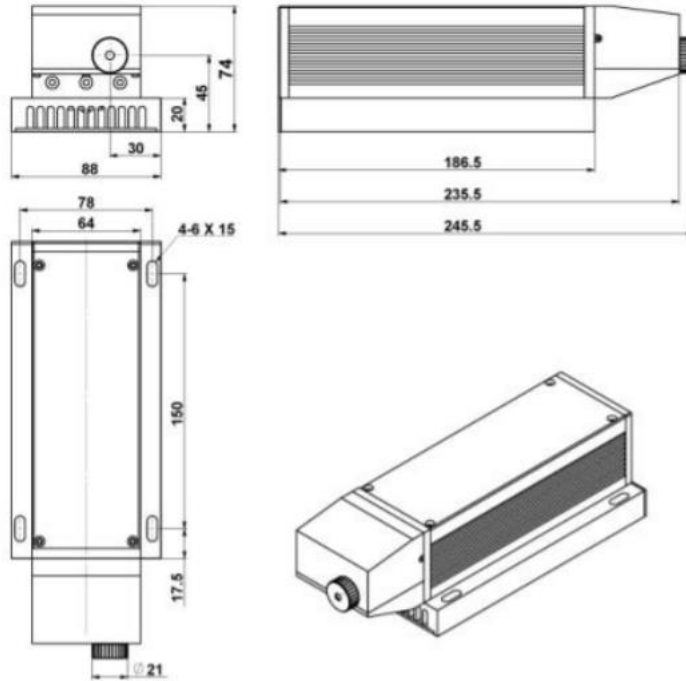
Remarks:

- Due to the Walk-off effect of nonlinear crystals, the beam quality of the UV laser is not as good as that of the 1047/532nm laser.
- Specifications of the Q-switched pulsed laser is based on the laser pulsed at the specified repetition rate. If the laser is run at a different repetition rate, the output characteristics may change.
- Specifications are subject to change without notice.

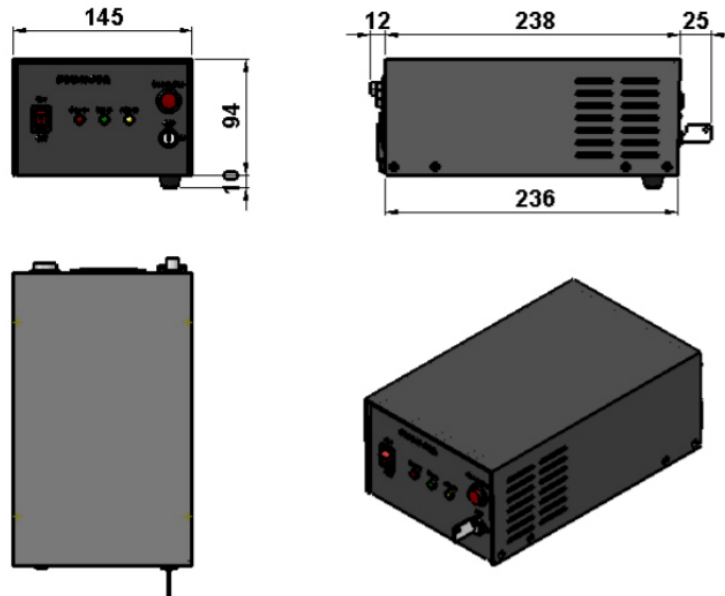


Outline Dimensions (unit: mm)

Laser Head



Power Supply



Note: The above specifications are subject to change without notice.