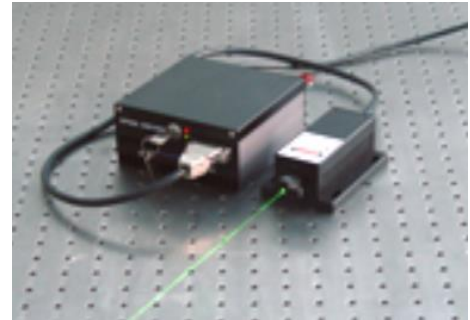




QSL526 Series 526.5nm Passively Q-Switched Laser System up to 50mW

Overview

The QSL526 series diode pumped solid state (DPSS) Q-switched laser is ideal for applications that require a wavelength of 526.5nm and output power levels up to 50mW. The laser features high peak power, high repetition rate, and short pulse duration. The laser is widely used in medical, scientific research, industrial, and many other applications.



Specifications

Model Number		QSL526-XYPR
Wavelength (nm)		526.5±1
Operating mode		Frequency conversion of Q-switched pulsed laser
Average power (mW)		~10 (X=10), ~30 (X=30), ~50 (X=50)
Single pulse energy (µJ)		Single pulse energy (µJ) = Average power (mW) / Rep. rate (kHz)
Average power stability (rms, over 4 hours)		<5% (P=A), <3% (P=E)
Pulse duration (ns)		~15
Peak power (W)		Peak Power (W) = Single Pulse Energy (µJ) / Pulse Duration (µs)
Repetition rate (kHz)	Fixed	One fixed rep. rate internal between 1kHz-4kHz, such as 1kHz (R=S1), 2kHz (R=S2), 3kHz (R=S3) and 4kHz (R=S4) with stable pulse energy, pulse duration and pulse period.
	External Trigger	Rep. rate in the range of 1kHz-4kHz obtained by external trigger with stable pulse energy, pulse duration and pulse period. (R=C)
	QCW	QCW state with one rep. rate between 4kHz-5kHz. (R=U)
Transverse mode		TEM ₀₀
Beam divergence, full angle (mrad)		<1.5
Beam diameter at aperture (mm)		~1.2
M ² factor		<1.2
Warm-up time (minutes)		<10
Beam height from base plate (mm)		24.8
Operating temperature (°C)		10-35
Dimensions of laser head (mm)		140.5(L)×73(W) ×46.2(H) mm ³
Weight of laser head (kg)		0.6 kg
Power supply		
Elite Power Supply (Y=E)	Input voltage	90-264VAC
	Dimensions	133(L) ×130(W) ×62.2(H) mm ³
	Weight	1.2 kg
	Notes	Fixed output power
Warranty period		10 months
FDA Compliance		FDA CDRH Title 21 CFR 1040.10/11 Class IV

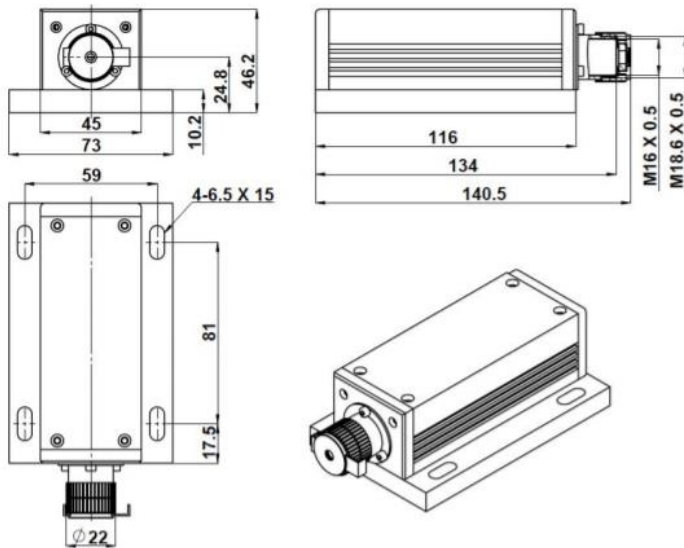
Remarks:

- Specifications of the Q-switched pulsed laser is based on the laser pulsed at the specified repetition rate. If the laser is run at a different repetition rate, the output characteristics may change.

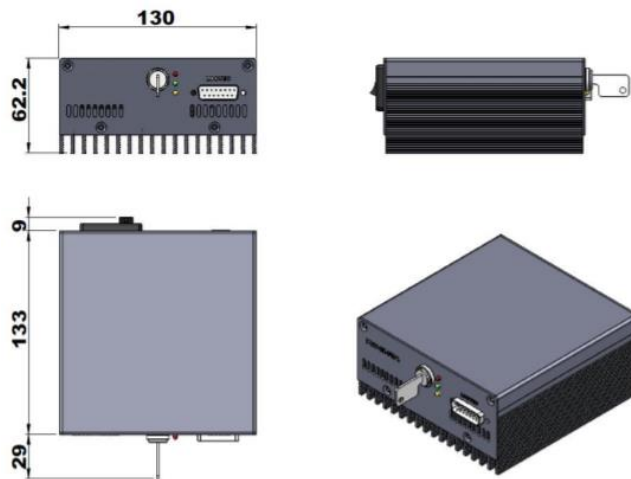


Outline Dimensions (unit: mm)

Laser Head



Power Supply



Note: The above specifications are subject to change without notice.