



## QEOS1064 Series 1064nm High Energy DPSS Q-Switched Laser up to 300uJ

### Overview

The QEOS1064 series high energy diode-pumped solid-state (DPSS) Q-switched EOM (Electro-Optic Modulation) laser is ideal for applications that require a wavelength of 1064nm and single pulse energy levels up to 300uJ. The laser features high single pulse energy, short pulse duration, and high peak power. The laser is widely used in laser distance measuring, laser radar, laser raman, ICP-MS, LIBs, scientific research, and many other applications.

### Specifications

<b>Model Number</b>	<b>QEOS1064-XYP</b>	
Wavelength (nm)	1064±1	
Operating mode	Q-switched: EOM (Electro-optic modulation)	
Average output power (mW)	~50mW @ 1kHz ( <b>X=50</b> ), ~100 @ 1kHz ( <b>X=100</b> ), ~200 @ 1kHz ( <b>X=200</b> ), ~300 @ 1kHz ( <b>X=300</b> )	
	Average power (mW) = Single pulse energy (µJ) * Rep. rate (kHz)	
Single pulse energy (uJ)	Up to ~300	
Pulse duration (ns)	~8	
Repetition rate (Hz)	1-1000	
Pulse jitter (Sdev) @ 1kHz	<1ns	
Power stability (rms, over 4 hours)	<5% ( <b>P=A</b> ), <3% ( <b>P=E</b> ), <2% ( <b>P=2</b> ), <1% ( <b>P=D</b> )	
Beam divergence, full angle (mrad)	<1.5	
Beam diameter (mm)	~1.3	
Warm-up time (minutes)	<10	
Operating temperature (°C)	10-35	
Beam height from base plate (mm)	35	
Dimensions of laser head (mm)	227(L) x75(W) x75(H) mm <sup>3</sup>	
Weight of laser head (kg)	2.05 kg	
Power supply options		
Power supply ( <b>Y=ED</b> )	Input voltage	90-264VAC
	Dimensions	270(L) x214(W) x99(H) mm <sup>3</sup>
	Weight	3.02 kg
Expected lifetime (pulses)	10000	
Warranty period	10 months	
FDA Compliance	FDA CDRH Title 21 CFR1040.10/11 Class IV	

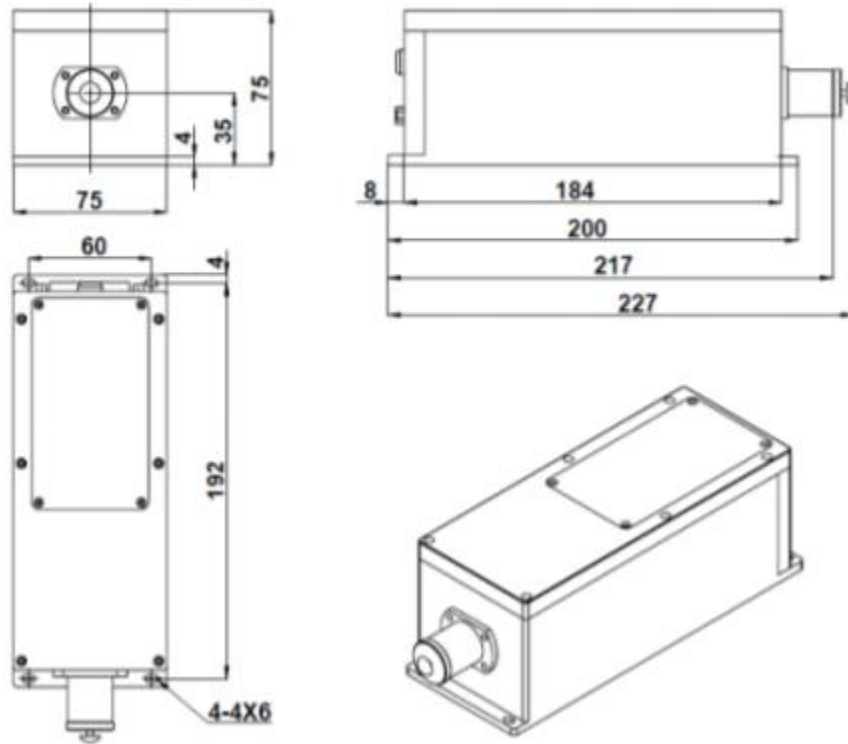
#### Remarks:

- The laser head needs to be used on a heat sink with good heat dissipation.
- Specifications of the Q-switched pulsed laser is based on the laser pulsed at the specified repetition rate. If the laser is run at a different repetition rate, the output characteristics may change.

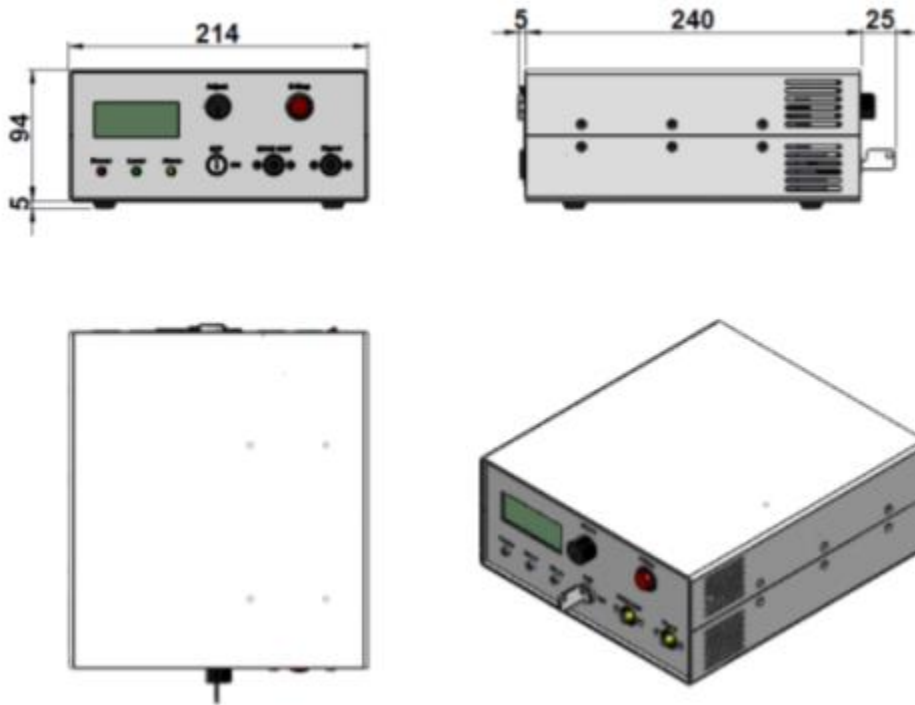


**Outline Dimensions (unit: mm)**

**Laser Head**



**Power Supply**



Note: The above specifications are subject to change without notice.