



QEOQ355 Series 355nm High Energy DPSS Q-Switched Laser up to 10mJ

Overview

The QEOQ355 series high energy diode-pumped solid-state (DPSS) Q-switched EOM (Electro-Optic Modulation) UV laser is ideal for applications that require a wavelength of 355nm and single pulse energy levels up to 10mJ. The laser is constructed with features of high single pulse energy, short pulse duration, and high peak power. The laser is widely used in LIBS, LIF, PIV, ICP-MS, LCD repair, scientific research, laser processing, military, and many other applications.

Specifications

Model Number	QEOQ355-XYP-C		
Wavelength (nm)	355±1		
Operating mode	Q-switched: EOM (Electro-optic modulation)		
Single pulse energy (mJ)	~2 (X=2)	~5 (X=5)	~10 (X=10)
Pulse duration (ns)	<10		
Repetition rate (Hz)	1-100 (adjustable)		
Energy stability	<10% (P=B), <5% (P=A)		
Beam divergence, full angle (mrad)	<3		
Beam diameter (mm)	~2	~2.5	~3
Warm-up time (minutes)	<15		
Beam height from base plate (mm)	55		
Cooled method	Water Cooled		
Operating temperature (°C)	15-30		
Dimensions of laser head (mm)	525(L) x160(W) x100(H) mm ³		
Weight of laser head (kg)	8 kg		
Power supply (Y=DQ)	Input voltage	220VAC	
	Dimensions	323(L) x 306(W) x106(H) mm ³	
	Weight	6 kg	
	Features	Repetition rate and current can be adjusted by touch screen.	
Dimensions of water chiller (mm)	580(L) x290(W) x470(H) mm ³		
Weight of water chiller (kg)	24 kg		
Expected lifetime (pulses)	10 ⁹		
Warranty period	10 months		
FDA Compliance	FDA CDRH Title 21 CFR1040.10/11 Class IIIb		

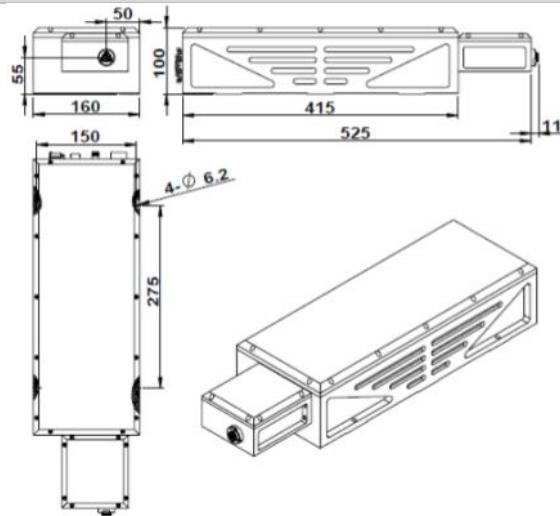
Remarks:

- Specifications of the Q-switched pulsed laser is based on the laser pulsed at the specified repetition rate. If the laser is run at a different repetition rate, the output characteristics may change.
- The above specifications are subject to change without notice.

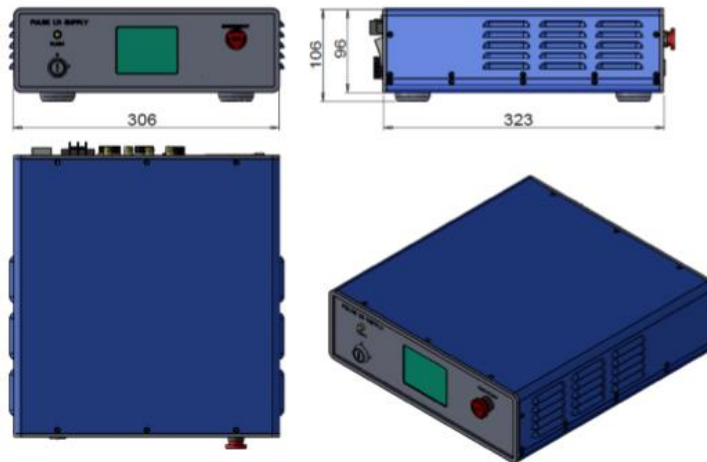


Outline Dimensions (unit: mm)

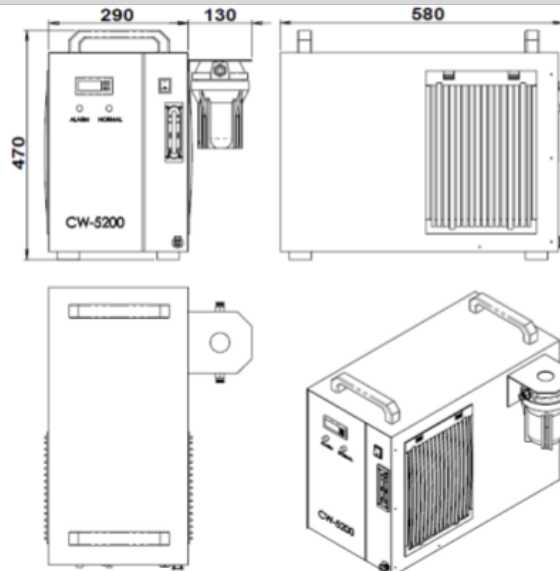
Laser Head



Power Supply



Water Chiller



Note: The above specifications are subject to change without notice.