



## QEOD1064 Series 1064nm High Energy DPSS Q-Switched Laser up to 2mJ

### Overview

The QEOD1064 series high energy diode-pumped solid-state (DPSS) Q-switched EOM (Electro-Optic Modulation) laser is ideal for applications that require a wavelength of 1064nm and single pulse energy levels up to 2mJ. The laser features high single pulse energy, short pulse duration, and high peak power. The laser is widely used in LIBS, LIF, PIV, ICP-MS, LCD repair, scientific research, and many other applications.

### Specifications

<b>Model Number</b>	<b>QEOD1064-XYP</b>	
Wavelength (nm)	1064±1	
Operating mode	Q-switched: EOM (Electro-optic modulation)	
Single pulse energy (mJ)	~0.5 ( <b>X=H</b> ), ~1 ( <b>X=1</b> ), ~2 ( <b>X=2</b> )	
Pulse duration (ns)	<10	
Repetition rate (Hz)	1-100, EXT (adjustable)	
Energy stability	<5% ( <b>P=A</b> ), <3% ( <b>P=E</b> )	
Beam divergence, full angle (mrad)	<2	
Beam diameter (mm)	~2.5	
Warm-up time (minutes)	<15	
Operating temperature (°C)	15-30	
Beam height from base plate (mm)	45	
Cooled method	Air cooled	
Dimensions of laser head (mm)	208(L) x 80(W) x 70(H) mm <sup>3</sup>	
Weight of laser head (kg)	2.5 kg	
Power supply options		
<b>(Y=DD)</b>	Input voltage	220V AC
	Dimensions	323(L) x 306(W) x 106(H) mm <sup>3</sup>
	Weight	6 kg
	Features	Repetition rate and current can be adjusted by touch screen.
<b>(Y=DDI)</b>	Input voltage	220V AC
	Dimensions	320(L) x 200(W) x 100(H) mm <sup>3</sup>
	Weight	4 kg
Expected lifetime (pulses)	10 <sup>9</sup>	
Warranty period	10 months	
FDA Compliance	FDA CDRH Title 21 CFR1040.10/11 Class IIIb	

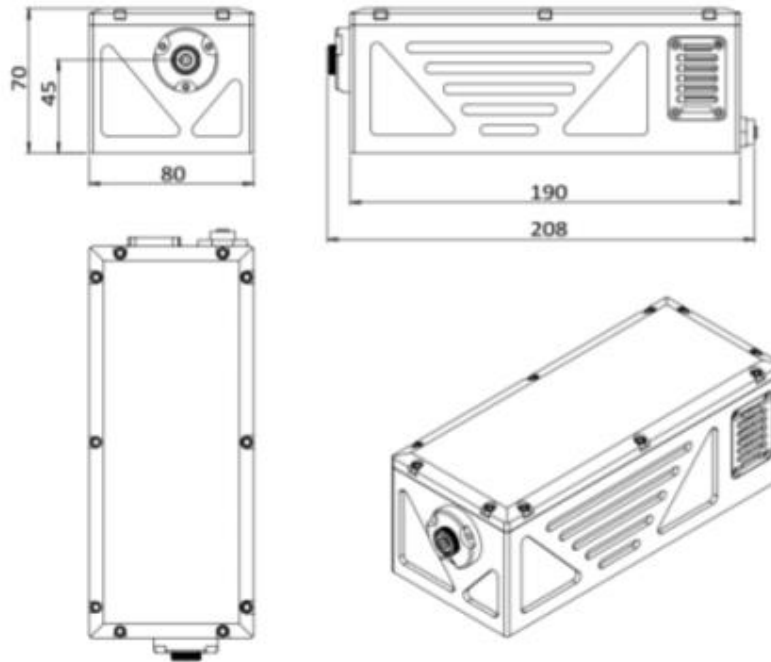
Remarks:

- Specifications of the Q-switched pulsed laser is based on the laser pulsed at the specified repetition rate. If the laser is run at a different repetition rate, the output characteristics may change.



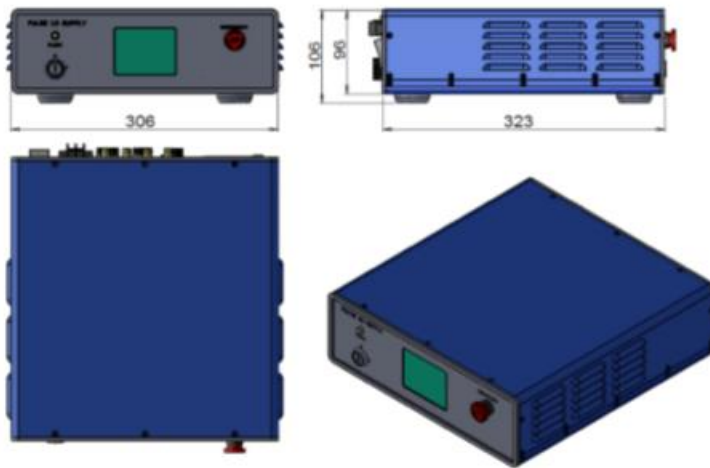
**Outline Dimensions (unit: mm)**

**Laser Head**

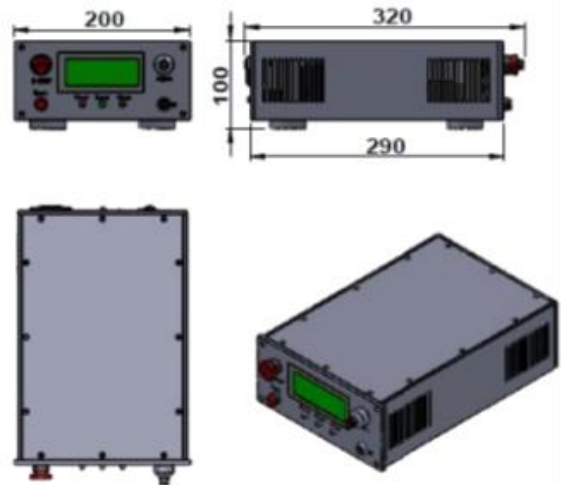


**Power Supply Options**

**(Y=DD)**



**(Y=DDI)**



Note: The above specifications are subject to change without notice.