



QAOW266 Series 266nm Actively Q-Switched Laser System up to 20uJ

Overview

The QAOW266 series DPSS actively Q-switched AOM (Acousto-Optic Modulation) UV laser is ideal for applications that require a wavelength of 266nm with single pulse energy up to 20uJ. The laser is constructed with features of TEC cooling system, high peak power, high repetition rate and short pulse duration. The laser is widely used in laser marking, carving, measurement, research, and many other applications.



Specifications

Model Number	QAOW266-XP				
Wavelength (nm)	266±1				
Operating mode	Actively Q-switched AOM (Acousto-Optic Modulation)				
Average power (mW)	~10 @ 10kHz (X=10)	~30 @ 10kHz (X=30)	~50 @ 10kHz (X=50)	~100 @ 10kHz (X=100)	~200 @ 10kHz (X=200)
	Average power (mW) = Single pulse energy (µJ) * Rep. rate (kHz)				
Single pulse energy (µJ)	Up to ~20				
Peak power (W)	Peak Power (W) = Single Pulse Energy (µJ) / Pulse Duration (µs)				
Ave power stability (rms, over 4 hours)	<10% (P=B), <5% (P=A)				
Pulse duration (ns)	Typically 10-15 @<10kHz, varies from power and repetition.				
Repetition rate (kHz)	1-50				
Beam diameter at aperture (1/e ² , mm)	~2.0				
Beam divergence, full angle (mrad)	<3.5				
Warm-up time (minutes)	<10				
Beam height from base plate (mm)	93.5				
Cooled method	Air cooled				
Operating temperature (°C)	15-30				
Dimensions of laser head (mm)	421(L) x140(W) x124.3(H) mm ³				
Weight of laser head (kg)	6.0 kg				
Power supply					
AOM Power Supply (Y=A)	Input voltage	220/110VAC			
	Dimensions	334(L) x300(W) x123(H) mm ³			
	Weight	6.8 kg			
Expected lifetime (hours)	5,000				
Warranty	10 months				
FDA Compliance	FDA CDRH Title 21 CFR 1040.10/11 Class IV				

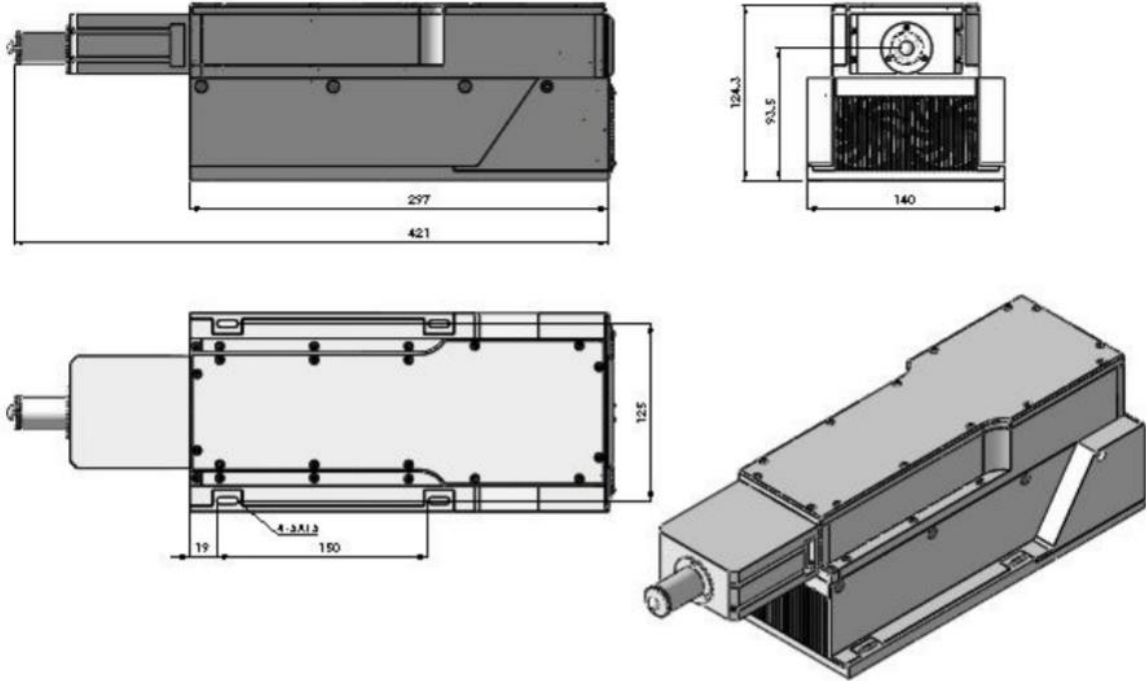
Remarks:

- Specifications of the Q-switched pulsed laser is based on the laser pulsed at the specified repetition rate. If the laser is run at a different repetition rate, the output characteristics may change.
- The above specifications are subject to change without notice.

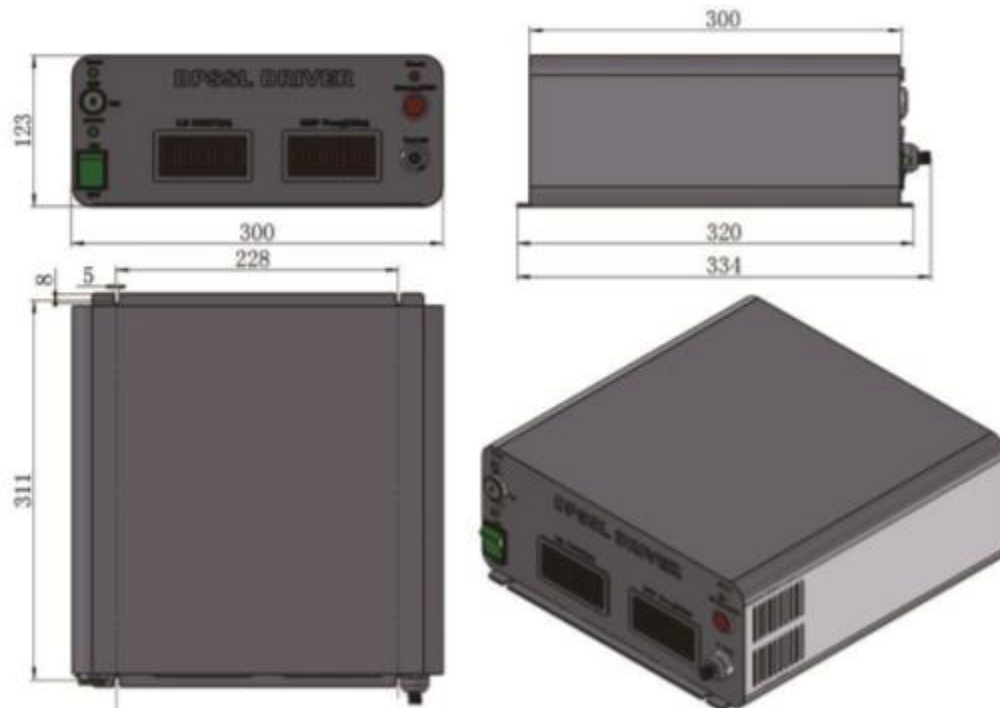


Outline Dimensions (unit: mm)

Laser Head



Power Supply



Note: The above specifications are subject to change without notice.