



QAOV473 Series 473nm Actively Q-Switched Laser System up to 30μJ

Overview

The QAOV473 series diode-pumped solid-state (DPSS) actively Q-switched AOM (Acousto-Optic Modulation) laser is ideal for applications that require a wavelength of 473nm and single pulse energy levels up to 30uJ. The laser features high peak power, high repetition rate and short pulse duration. The laser is widely used in marking, carving, measurement, research, and many other applications.



Specifications

| | | | |
|---|---|--|--------------------------------|
| Model Number | QAOV473-XYP | | |
| Wavelength (nm) | 473±1 | | |
| Operating mode | Actively Q-switched AOM (Acousto-Optic Modulation) | | |
| Average power (mW) | ~100 @ 10kHz (X=100) | ~200 @ 10kHz (X=200) | ~300 @ 10kHz (X=300) |
| | Average power (mW) = Single pulse energy (μJ) * Rep. rate (kHz) | | |
| Single pulse energy (μJ) | Up to ~30 | | |
| Peak power (W) | Peak Power (W) = Single Pulse Energy (μJ) / Pulse Duration (μs) | | |
| Ave power stability (rms, over 4 hours) | <5% (P=A) , <3% (P=E) | | |
| Pulse duration (ns) | Typically ~200 @ 10kHz, varies from power and repetition | | |
| Repetition rate (kHz) | 1-200 | | |
| Beam diameter at aperture (1/e ² , mm) | ~1.0 | | |
| Beam divergence, full angle (mrad) | <2.5 | | |
| Warm-up time (minutes) | <10 | | |
| Cooled method | Air cooled | | |
| Beam height from base plate (mm) | 113 | | |
| Operating temperature (°C) | 10-35 | | |
| Dimensions of laser head (mm) | 430(L) x142(W) x144(H) mm ³ | | |
| Weight of laser head (kg) | 9.5 kg | | |
| Power supply | | | |
| AOM Power Supply (Y=AU) | Input voltage | 220/110VAC | |
| | Dimensions | 483.5(L) x454(W) x147.5(H) mm ³ | |
| | Weight | 8.3 kg | |
| Expected lifetime (hours) | 10,000 | | |
| Warranty | 10 months | | |
| FDA Compliance | FDA CDRH Title 21 CFR 1040.10/11 Class IV | | |

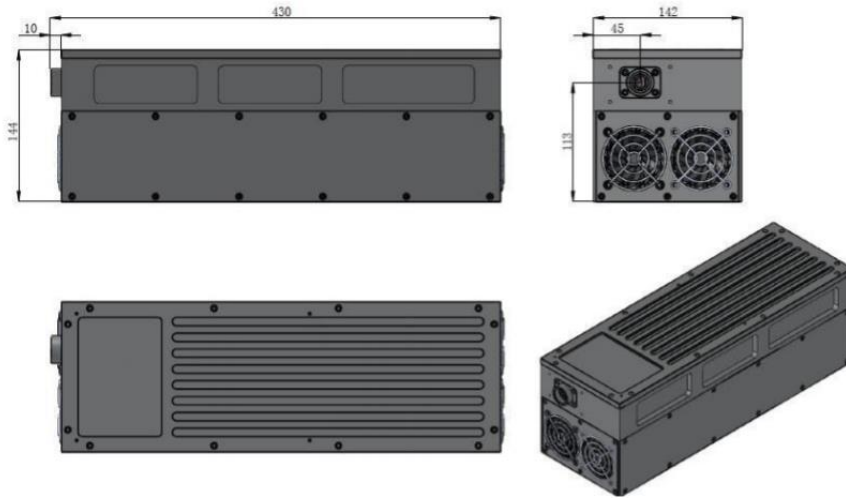
Remarks:

- Specifications of the Q-switched pulsed laser is based on the laser pulsed at the specified repetition rate. If the laser is run at a different repetition rate, the output characteristics may change.

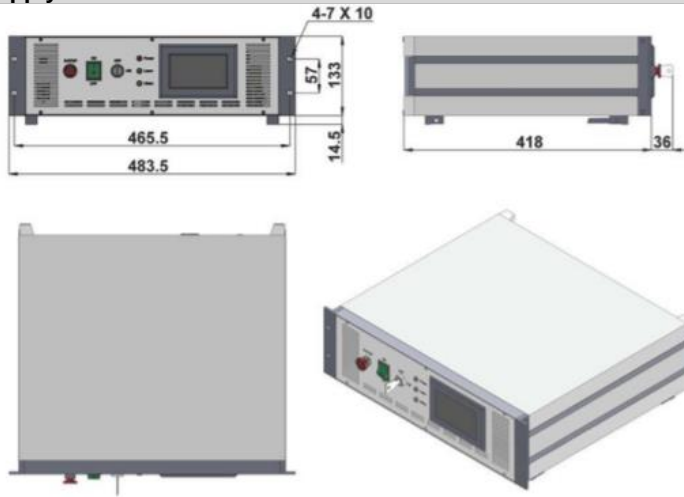


Outline Dimensions (unit: mm)

Laser Head



Power Supply



Note: The above specifications are subject to change without notice.