



## QAON532 Series 532nm Actively Q-Switched Laser System up to 50uJ

### Overview

The QAON532 series diode-pumped solid-state (DPSS) actively Q-switched AOM (Acousto-Optic Modulation) laser is ideal for applications that require a wavelength of 532nm and single pulse energy levels up to 50uJ. The laser features high peak power, high repetition rate and short pulse duration. The laser is widely used in marking, carving, measurement, research and many other applications.



### Specifications

<b>Model Number</b>	<b>QAON532-XYP</b>		
Wavelength (nm)	532±1		
Operating mode	Actively Q-switched AOM (Acousto-Optic Modulation)		
Average power (mW)	~100 @ 10kHz ( <b>X=10</b> )	~300 @ 10kHz ( <b>X=30</b> )	~500 @ 10kHz ( <b>X=50</b> )
	Average power (mW) = Single pulse energy (µJ) * Rep. rate (kHz)		
Single pulse energy (µJ)	Up to ~50		
Peak power (W)	Peak Power (W) = Single Pulse Energy (µJ) / Pulse Duration (µs)		
Ave power stability (rms, over 4 hours)	<5% ( <b>P=A</b> ), <3% ( <b>P=E</b> )		
Pulse duration (ns)	Typically ~10 @ <10kHz, varies from power and repetition.		
Repetition rate (kHz)	1-50		
Beam diameter at aperture (1/e <sup>2</sup> , mm)	~2.0		
Beam divergence, full angle (mrad)	<1.5		
Warm-up time (minutes)	<10		
Cooled method	Air cooled		
Beam height from base plate (mm)	71.8		
Operating temperature (°C)	10-35		
Dimensions of laser head (mm)	274(L) x99(W) x100(H) mm <sup>3</sup>		
Weight of laser head (kg)	3.3 kg		
Power supply			
AOM Power Supply ( <b>Y=A</b> )	Input voltage	220/110VAC	
	Dimensions	334(L) x300(W) x123(H) mm <sup>3</sup>	
	Weight	6.2 kg	
Expected lifetime (hours)	10,000		
Warranty	10 months		
FDA Compliance	FDA CDRH Title 21 CFR 1040.10/11 Class IV		

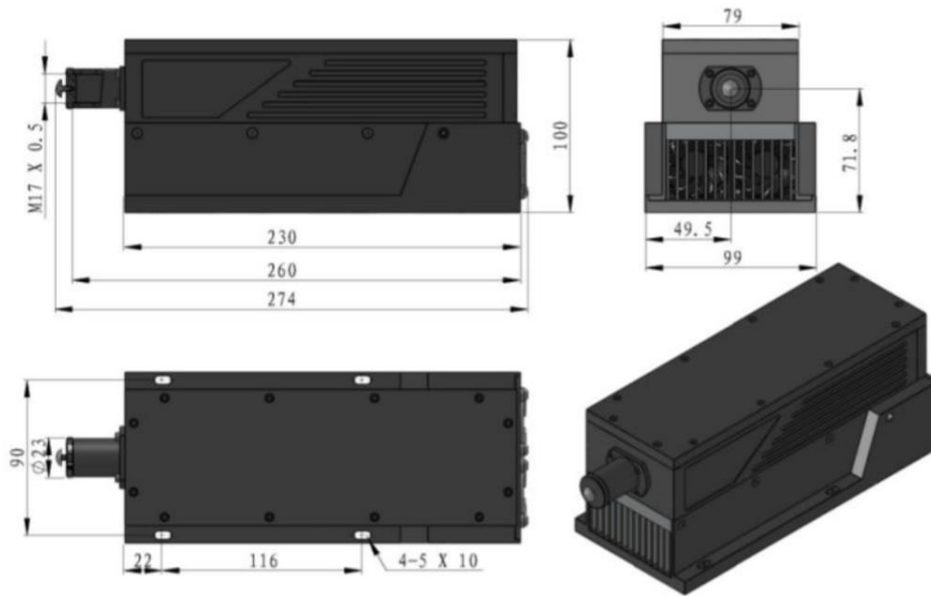
Remarks:

- Specifications of the Q-switched pulsed laser is based on the laser pulsed at the specified repetition rate. If the laser is run at a different repetition rate, the output characteristics may change.

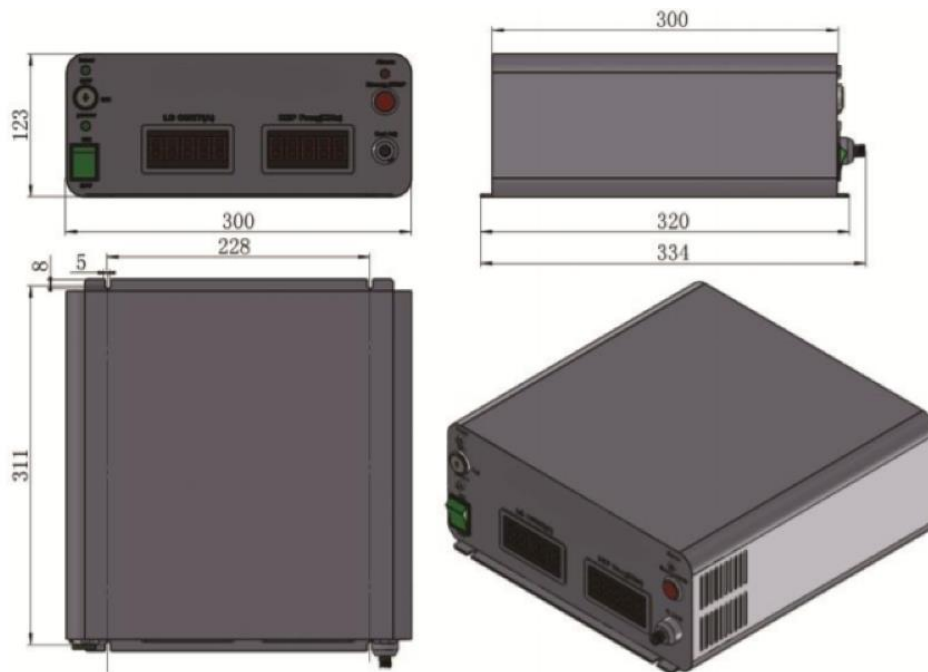


**Outline Dimensions (unit: mm)**

**Laser Head**



**Power Supply**



Note: The above specifications are subject to change without notice.