



125MHz 1310nm/1550nm InGaAs PIN plus AGC Pre-Amplifier Photodiode in TO-46 Package, 5-pin

Part No. PDT-A13P5-1MA4

Features

- 1310nm/1550nm InGaAs PINTIA 5 pin TO
- Industry standard TO-46 package with cap lens
- Optimized for fiber optic application
- Suitable for 100/155 Mbps applications
- Supports 3.3V to 5.0V applications

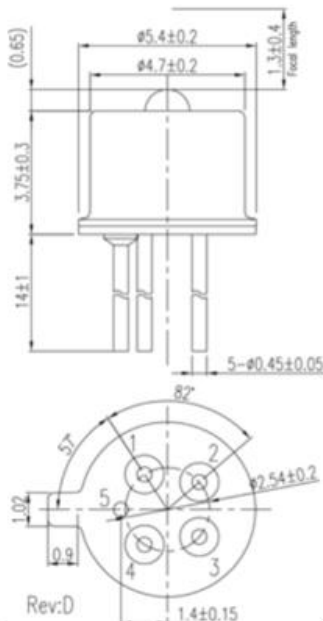


Specifications

Electro-Optical Characteristics (Typical values are at V _{CC} =3.3V at 25°C)						
Parameters	Symbol	Min.	Typ.	Max.	Unit	Conditions
Power Supply	V _{CC}	3.0		5.5	V	
Supply Current	I _{CC}			35	mA	No loads
Differential Responsivity	R _d	0.10		120	mV/uW	λ=1310nm, R _{load} =100ohm
Single Ended Responsivity	R _s	0.05		60	mV/uW	λ=1310nm, R _{load} =50ohm
Small-Signal Bandwidth	BF	115			MHz	λ=1310nm, P _r =10uW
Rise/Fall Time (20-80%)	tr/ta			4.5	ns	λ=1310nm, P _r =10uW
Saturation Power	P _{sat}	0			dBm	λ=1310nm
Single Ended Output Impedance	R _O		50		ohm	
Wavelength	λ	1260		1620	nm	
Sensitivity				-36	dBm	λ=1310nm, @155.52Mbps, PRBS23, BER=10 ⁻¹⁰

Absolute Maximum Ratings					
Parameters	Min.	Max.	Unit	Conditions	
Storage Temperature	-40	100	°C		
Operating Temperature	-40	85	°C		
Lead Solder Temperature		260	°C	10 seconds	

Outline Dimensions (unit: mm)



- Pinout:**
1. Dout
 2. Vcc
 3. Vpd
 4. Dout
 5. Gnd

Note: Specifications are subject to change without notice.

Lasermate Group, Inc.

19608 Camino De Rosa, Walnut, CA 91789, USA

Tel: (909)718-0999 | Fax: (909)718-0998 | E-mail: info@lasermate.com | URL: <http://www.lasermate.com>