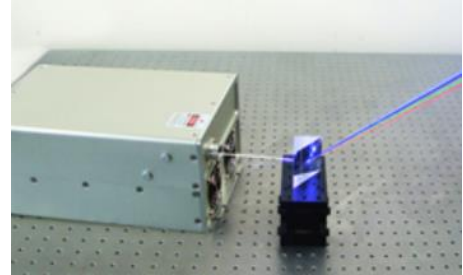


MW405D589 Series 405nm/589nm Dual Wavelength Laser System up to 100mW

Overview

The MW405D589 series multi-wavelength laser is ideal for applications that require two wavelengths of 405nm and 589nm and output power levels up to 100mW. The laser emits up to two wavelengths from one aperture and with separate power monitors for each wavelength. The laser is widely used in life sciences, fluorescence, spectral analysis and optogenetics.



Specifications

Model Number	MW405D589-XPQ	
Wavelength (nm)	Violet at 405nm, Yellow at 589nm	
Total output power (mW)	>10 (X=10), >50 (X=50), >100 (X=100)	
Transverse mode	Near TEM ₀₀ /TEM ₀₀	
Operating mode	CW	
Power stability (rms, over 4 hours)	<5% (P=A), <3% (P=E), <2% (P=2)	
Beam diameter at aperture (1/e ² , mm)	~2.5	
Beam divergence, full angle (mrad)	<1.5	
Warm-up time (minutes)	<10	
Beam height from base plate (mm)	24.8	
Operating temperature (°C)	10-35	
Dimensions of laser head (mm)	353(L)×211(W) ×136(H) mm ³	
Weight of laser head (kg)	13.0 kg	
RGB Laboratory Power Supply	Input voltage	100-240VAC
	Dimensions	305.5(L) ×215(W) ×120(H) mm ³
	Weight	5.0 kg
Modulation option		None (Q=0)
	TTL	1Hz-1kHz (Q=T1), 1kHz-10kHz (Q=T2), 10kHz-30kHz (Q=T3)
	Analog	1Hz-1kHz (Q=A1), 1kHz-10kHz (Q=A2), 10kHz-30kHz (Q=A3)
Expected lifetime (hours)	10,000	
Warranty period	10 months	
FDA Compliance	FDA CDRH Title 21 CFR 1040.10/11 Class IIIb	

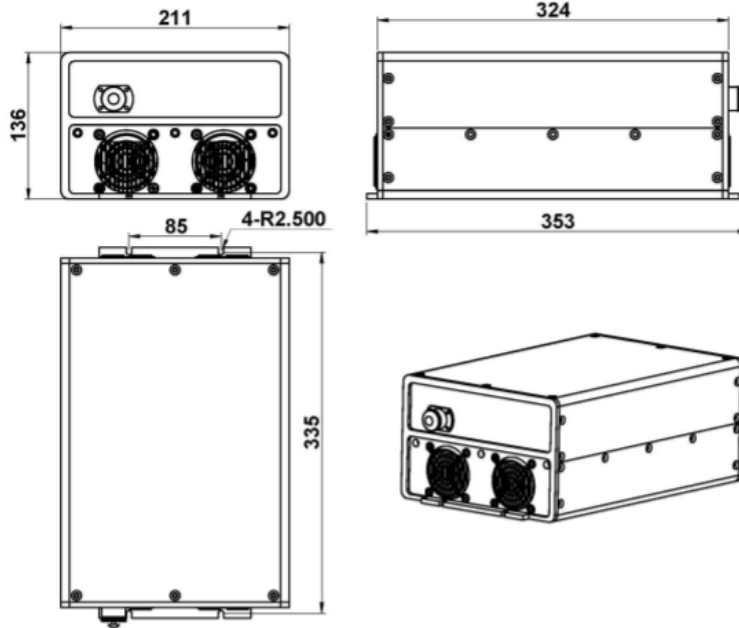
Remarks:

- Specifications of the CW laser is based on the laser performance at full power output after the specified warmup period. The stability of output power may change when output power is adjusted at a different power level.

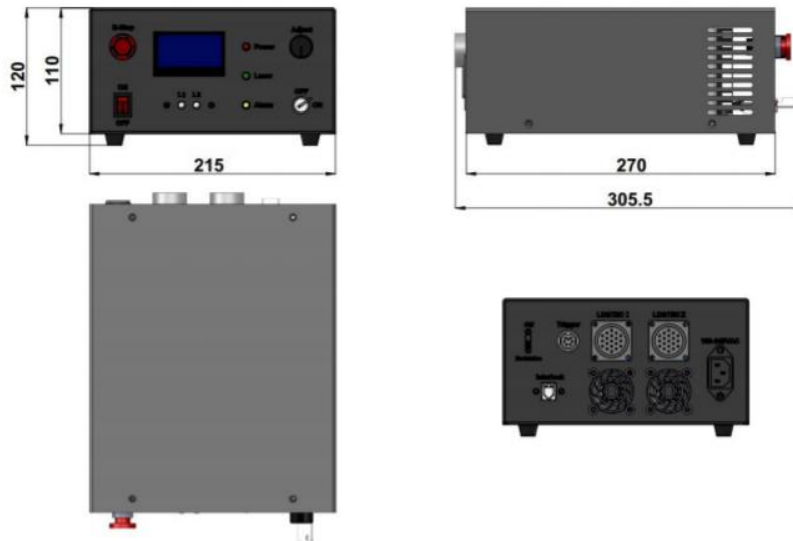


Outline Dimensions (unit: mm)

Laser Head



Power Supply



Note: The above specifications are subject to change without notice.