

MPO 12F Tester

Part No. MPO-12



Description

The MPO Tester is a particularly useful tool designed for checking the defects of a MPO arrayed fiber cable or MPO connector. The MPO emits a visible 650nm wavelength visible red laser light through fiber optic cables, such that if there are breaks or defects in the fiber, it will refract the light, creating a bright glow around the faulty area.

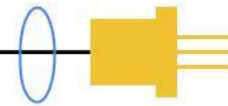
The LD output signal can be all 12 Fibers switched to CW mode to obtain different visual effects.

Features

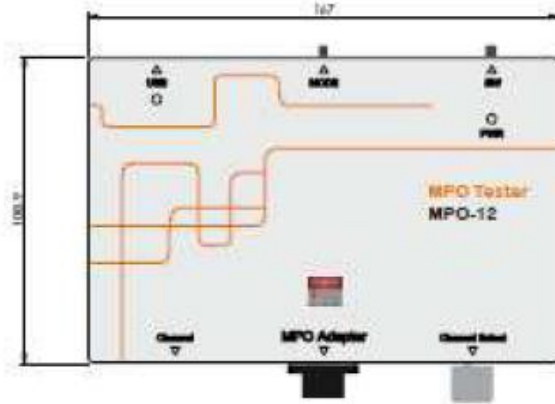
- Easy to check fiber faults by using 650 nm visual red laser
- Range: visibility up to SMF or MMF Fiber 1 km
- 12F MPO Connector for testing additional
- Highly effective power circuits designed for stable laser power
- Operating in Continuous Wave (CW) Mode or Pulse Mode
- Driven by external USB with power bank battery

Specifications

MPO-12	
Class Class	Class 2M
Wavelength	650nm \pm 10nm @ 25°C
Spectral Width	<10nm
Output Power	>0.4mW @ 25°C into 9um fiber
Emitting Range	Visibility up to 1km
Operating Temperature	0 to 50°C
Storage Temperature	0 to 70°C
Dimensions	168mm x 109mm x 3mm



Dimensions (unit: mm)



Operating Manual

1. Connect MPO Tester to USB to charge the internal battery.
2. Connect the MPO fibers (DUT, Device Under Test) to the MPO Tester Adapter.
3. Turn on the MPO tester.
4. Check if the MPO fibers all show red dots, signifying that the MPO fibers performed well and fine.
5. Turn off the MPO Switch.
6. Disconnect the DUT for MPO Adapter.
7. You can switch the Mode to CW (Continuous Wavelength) Mode or Pulse Mode.
8. Disconnect the USB.
9. Store the MPO Tester properly.

[Warning] Laser Product. Please do not stare at the laser beam directly. To shut off the laser urgently, please turn off the switch or cover the cap directly.

Maintenance

Like any other type of electronic equipment, this MPO Tester should be kept away from water, high humidity, dust, electricity, and environments of extreme temperatures. Do not drop this tool on any hard surface. Internal modification of any of the MPO Tester components can cause a malfunction and will invalidate the manufacturer's warranty.

Warranty

The manufacturer warrants this product to be free of defects in workmanship and materials for a period of 10 months after purchase. This warranty is solely limited to the repair or replacement of the original parts. All other costs are the sole responsibility of the owner. This warranty does not cover any defects, damage, or deterioration due to misuse, alteration, or negligence.

Ordering Information

Part Number	Wavelength	Cores	Output Power
MPO-12	650nm	12F	>0.4mW

Note: Specifications are subject to change without notice.