



MLROGB1 Series 640nm/593.5nm/532nm/488nm Fiber Coupled Four Wavelength Multi-Line Laser System up to 80mW

Overview

The MLROGB1 series multi-line fiber coupled laser is ideal for applications that require four wavelengths at 640nm, 593.5nm, 532nm and 488nm, and output power levels up to 80mW. The laser features a flexible design that enables integration of optional AOM modulators that allow fast modulation of DPSS lasers, and a robust design that provides excellent long-term stability and outstanding flexibility for many applications. The laser is widely used in fluorescence microscopy, flow cytometry, confocal microscopy, and optogenetics applications.



Specifications

Model Number	MLROGB1-XPQL	
Wavelength (nm)	Red at 640nm, Orange at 593.5nm, Green at 532nm, Blue at 488nm	
Fiber core diameter (um)	4um Single mode	
Fiber connector	FC	
Fiber length (m)	1	
Total output power after fiber (mW)	>10 (X=10), >20 (X=20), >50 (X=50), >80 (X=80)	
Operating mode	CW	
Power stability (rms, over 4 hours)	<5% (P=A), <3% (P=E), <2% (P=2)	
Warm-up time (minutes)	<10	
Operating temperature (°C)	10-35	
Dimensions of laser head (mm)	373.7(L)x288(W) x88(H) mm ³	
Weight of laser head (kg)	14.0 kg	
RGB Laboratory Power Supply	Input voltage	100-240VAC
	Dimensions	305.5(L) x215(W) x120(H) mm ³
	Weight	5.0 kg
Modulation option		None (Q=0)
	TTL	1Hz-1kHz (Q=T1), 1kHz-10kHz (Q=T2), 10kHz-30kHz (Q=T3)
	Analog	1Hz-1kHz (Q=A1), 1kHz-10kHz (Q=A2), 10kHz-30kHz (Q=A3)
Expected lifetime (hours)	10,000	
Warranty period	10 months	
FDA Compliance	FDA CDRH Title 21 CFR 1040.10/11 Class IIIb	

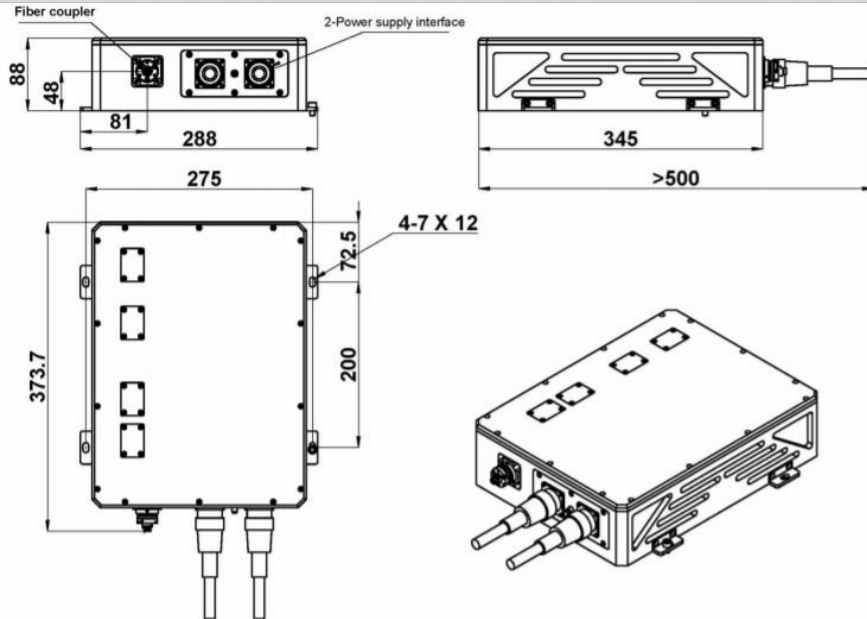
Remarks:

- Specifications of the CW laser is based on the laser performance at full power output after the specified warmup period. The stability of output power may change when output power is adjusted at a different power level.

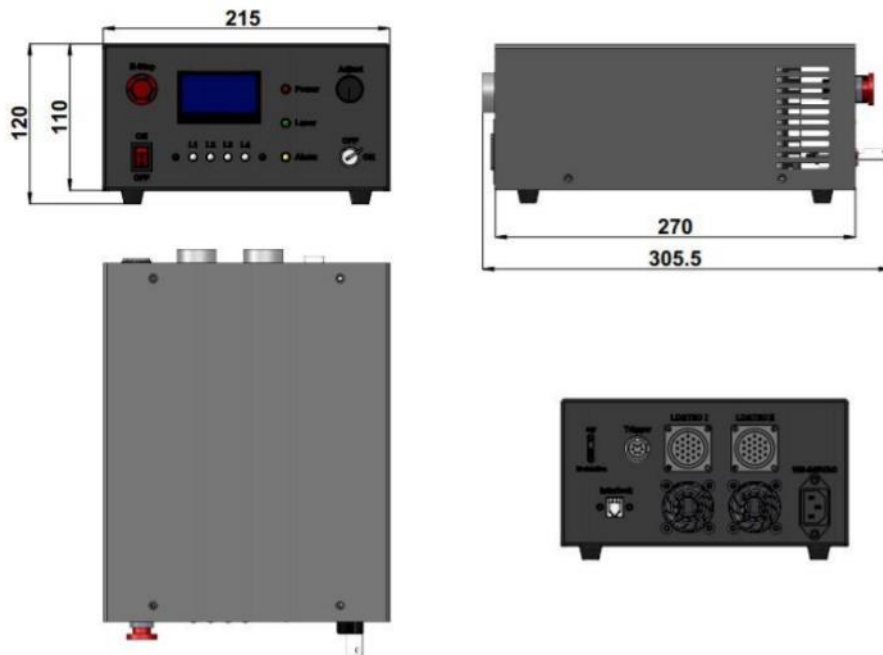


Outline Dimensions (unit: mm)

Laser Head



Power Supply



Note: The above specifications are subject to change without notice.