



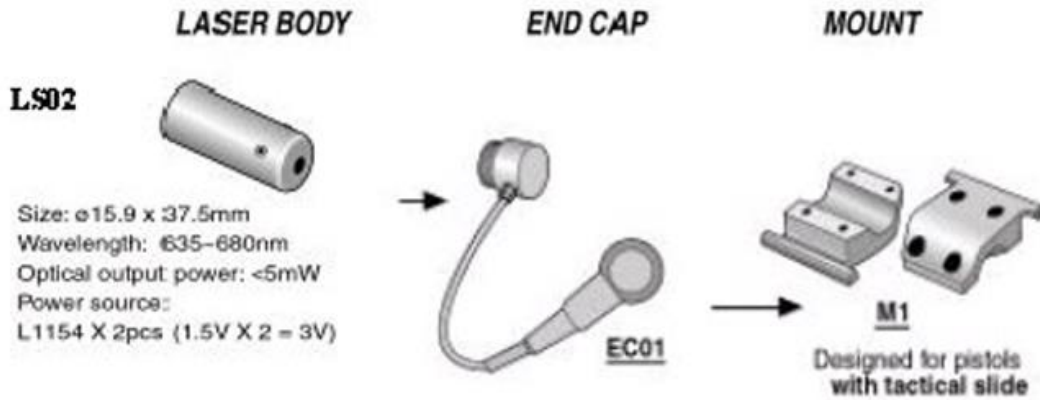
LS02-EC01-M1 Laser Sight for Aiming

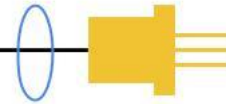
Features

- Designed for pistols with tactical slide
- Uses 2 x L1154 batteries
- Pad switch

Specifications

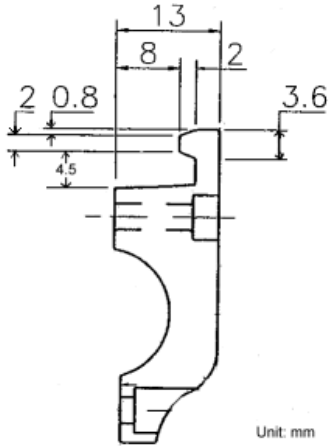
- **Size:** Ø15.9 x 37.5mm
- **Wavelength:** 645+/-10nm
- **Optical output power:** 2.0~3.0mW
- **Laser Class:** IIIa
- **Power source:** L1154 x 2pcs (1.5V x 2)
- **Pad switch**
- **Tactical Slide Mount (M1 mount)**





Mechanical Outline of standard M1 mount for Tactical Slide

M1 Mount Side View



Notes: Please check the tactical slide of your pistol before ordering LS02 laser sights. Standard M1 mounts do not fit S&W 40 series.

Mount

Tactical Slide Mount: (M1 Mount)

Works with Pad Switch.

Specially designed for the pistols with tactical slide,
i.e. **(H&K) USP, Walter, Glock, and S&W.**

Additional Notes

[Warning] Laser radiation is harmful. Avoid direct eye exposure.
Never aim or shine a laser aimer or gun sight at anyone.
Do not buy laser aimers or gun sights for your children.

You must be 18 or older to purchase Laser Sights. All Laser Sights are shipped by UPS or FedEx and require an adult signature upon delivery. Laser Sight cannot be sent to New York City. Please check your State, County and City laws for restrictions before ordering laser sights.

Note: The specifications subject to change without notice.