



LPQL1064 Series 1064nm High Energy Lamp Pumped Solid State Q-Switched Laser up to 1000mJ

Overview

The LPQL1064 series high energy lamp-pumped solid-state Q-switched laser is ideal for applications that require a wavelength of 1064nm and single pulse energy levels up to 1000mJ. The laser features high single pulse energy, short pulse duration, and high peak power. The laser is widely used in LIBS, LIF, PIV, ICP-MS, LCD repair, scientific research, laser processing, military, and many other applications.

Specifications

Model Number	LPQL1064-XYZ-C		
Wavelength (nm)	1064±1		
Operating mode	Q-switched: EOM (Electro-optic modulation)		
Single pulse energy (mJ)	~500 (X=500)	~700 (X=700)	~1000 (X=1W)
Pulse duration (ns)	<10	<8	<8
Repetition rate (Hz)	1~10 (adjustable)		
Energy stability	<5% (Z=A), <3% (Z=E), <1% (Z=D)		
Beam divergence, full angle (mrad)	~1	~1	~3
Beam diameter (mm)	8	8	9
Warm-up time (minutes)	<15		
Beam height from base plate (mm)	80		
Cooled method	Water Cooled		
Operating temperature (°C)	15-35		
Dimensions of laser head (mm)	600(L) x245(W) x130(H) mm ³		
Weight of laser head (kg)	24 kg		
Power supply (Y=LL)	Input voltage	220/110VAC	
	Dimensions	480(L) x 505(W) x135(H) mm ³	
	Weight	16 kg	
	Features	Repetition rate and voltage can be adjusted by touch screen.	
Dimensions of water chiller (mm)	580(L) x 290(W) x470(H) mm ³		
Weight of water chiller (kg)	24 kg		
Expected lifetime (pulses)	10 ⁷ -10 ⁸		
Warranty period	10 months		
FDA Compliance	FDA CDRH Title 21 CFR1040.10/11 Class IV		

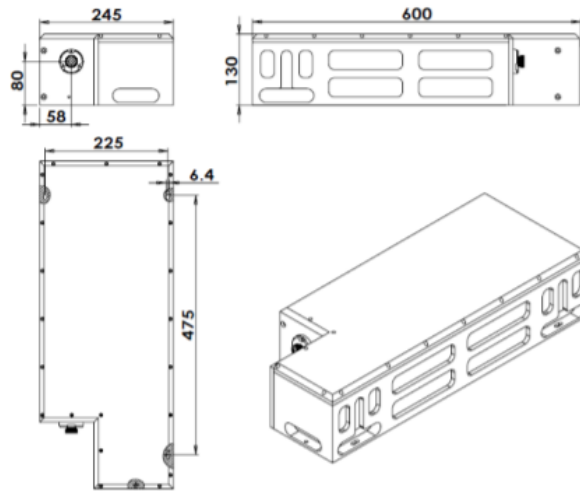
Remarks:

- Specifications of the Q-switched pulsed laser is based on the laser pulsed at the specified repetition rate. If the laser is run at a different repetition rate, the output characteristics may change.

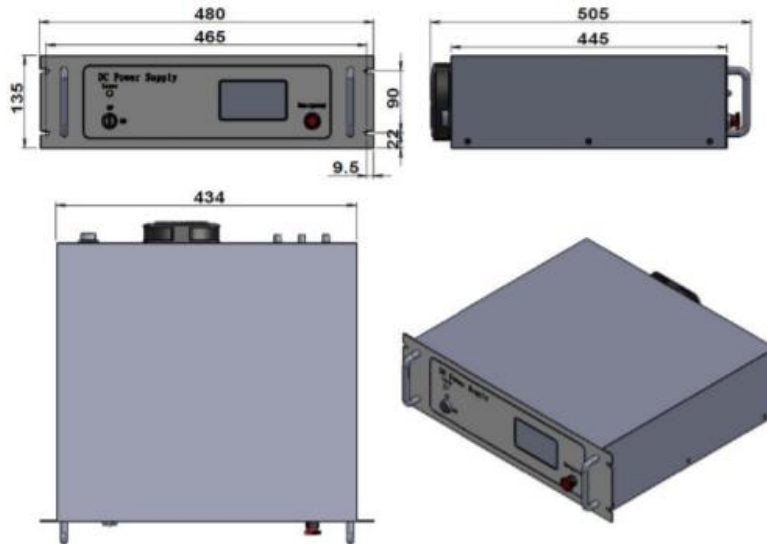


Outline Dimensions (unit: mm)

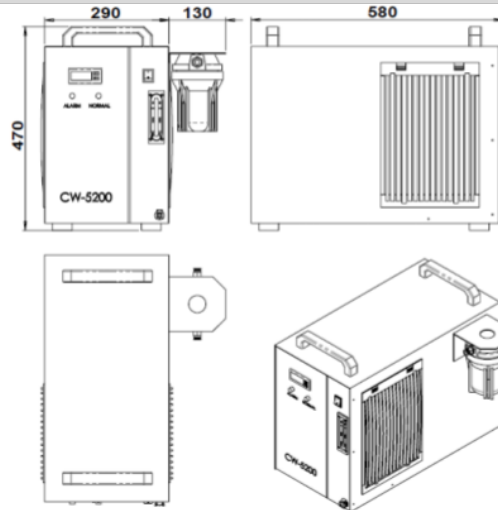
Laser Head



Power Supply



Water Chiller



Note: The above specifications are subject to change without notice.