



LPQA532 Series 532nm High Energy Lamp Pumped Solid State Q-Switched Laser up to 100mJ

Overview

The LPQA532 series high energy lamp-pumped solid-state Q-switched laser is ideal for applications that require a wavelength of 532nm and single pulse energy levels up to 100mJ. The laser features high single pulse energy, short pulse duration, and high peak power. The laser is widely used in LIBS, LIF, ICP-MS, Raman, scientific research, and many other applications.

Specifications

Model Number	LPQA532-XYZ		
Wavelength (nm)	532±1		
Operating mode	Q-switched: EOM (Electro-optic modulation)		
Single pulse energy (mJ)	~50 (X=50)	~80 (X=80)	~100 (X=100)
Pulse duration (ns)	<8		
Repetition rate (Hz)	1-20 (adjustable)		
Energy stability	<5% (Z=A), <3% (Z=E)		
Beam divergence, full angle (mrad)	~1.0	~1.0	~1.0
Beam diameter (mm)	<6	7	7
Warm-up time (minutes)	<15		
Beam height from base plate (mm)	123		
Cooled method	Water to Air Cooled		
Operating temperature (°C)	20-25		
Dimensions of laser head (mm)	575(L) x160(W) x160(H) mm ³		
Weight of laser head (kg)	15 kg		
Power supply (Y=LA)	Input voltage	220/110VAC	
	Dimensions	480(L) x 465(W) x135(H) mm ³	
	Weight	15 kg	
	Features	Repetition rate and voltage can be adjusted by touch screen.	
Expected lifetime (pulses)	10 ⁷ -10 ⁸		
Warranty period	10 months		
FDA Compliance	FDA CDRH Title 21 CFR1040.10/11 Class IV		

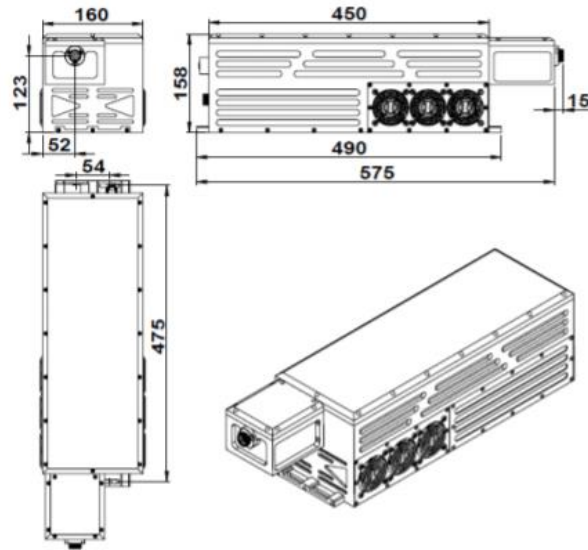
Remarks:

- Specifications of the Q-switched pulsed laser is based on the laser pulsed at the specified repetition rate. If the laser is run at a different repetition rate, the output characteristics may change.

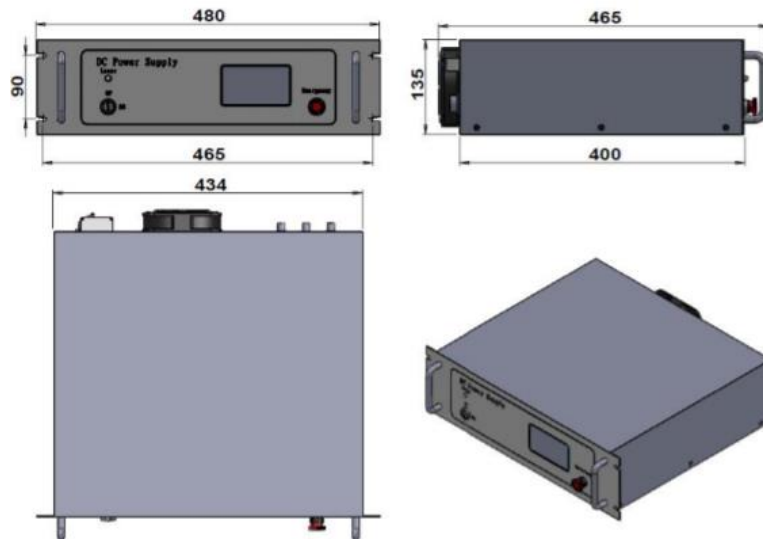


Outline Dimensions (unit: mm)

Laser Head



Power Supply



Note: The above specifications are subject to change without notice.