



## 808nm Fiber Coupled Infrared LED

Model No. LED808-AM-Q

### Overview

The LED808 series fiber coupled LED is ideal for applications that require a wavelength of 808nm. The LED features stable output intensity, long operating lifetime and high power. The LED is widely used in spectroscopy, optogenetics, fluorescence excitation, and many other applications.



### Specifications

Model Number	LED808-AM-Q
Nominal wavelength (nm)	808
Color	Infrared
Bandwidth FWHM (nm)	25
Fiber connector	SMA905
Numerical aperture (NA)	0.22
Fiber core diameter	600um
Typical $\phi 600\mu\text{m}$ core fiber output power SMA (mW)	2.5
Maximum current CW (mA)	500
Forward voltage (V)	3.6
Output power stability (rms, over 4 hours)	<5%
Dimensions of LED head	64 (L) x46.5 (W) x30 (H) mm <sup>3</sup>
Weight of LED head	0.2kg
Input Voltage	5V DC
Dimensions of Power supply	114 (L) x78 (W) x71 (H) mm <sup>3</sup>
Weight of Power supply	0.3kg
Operating mode	CW ( <b>Q=C</b> ); CW with TTL modulation: 1Hz-1kHz ( <b>Q=T1</b> ), 1kHz-10kHz ( <b>Q=T2</b> ); CW with Analog modulation: 1Hz-1kHz ( <b>Q=A1</b> ), 1kHz-10kHz ( <b>Q=A2</b> )
Operating temperature (°C)	10 to 35 °C
Typical lifetime (h)	~10,000

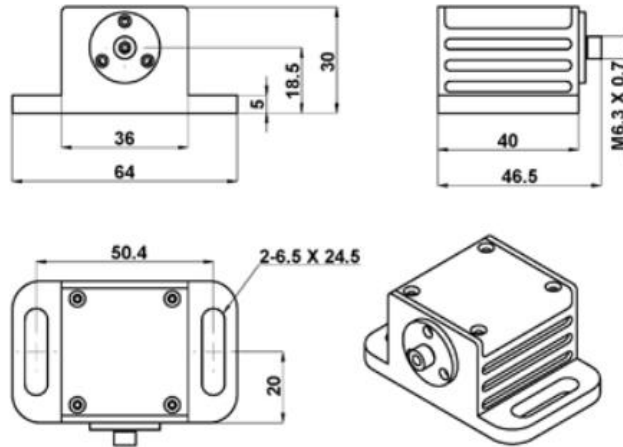
#### Remarks:

- The above testing data are only for reference. The actual spectrum of LED may change since the temperature or other parameters are different when operating the current.
- Other core diameter fibers may be available on request.
- Specifications are subject to change without notice.

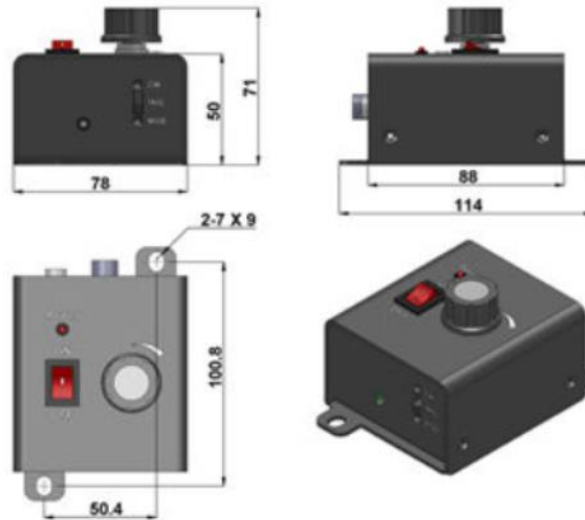


**Outline Dimensions (unit: mm)**

**LED Head**



**Power Supply**



Note: The above specifications are subject to change without notice.