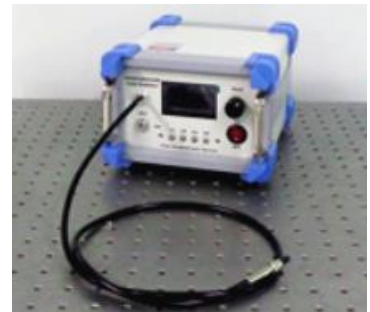


375nm-940nm Multi-Wavelength Fiber Coupled LED

Overview

The LED series fiber coupled multi-wavelength LED is ideal for applications that require multiple wavelengths. The LED features stable output intensity, long operating lifetime, and high power. The LED is widely used in spectroscopy, optogenetics, fluorescence excitation, and many other applications.

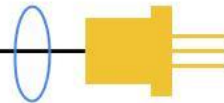


Specifications

Model Number	LEDX ₁ X ₂ X ₃ X ₄ X ₅ X ₆ X ₇ YQ
Available wavelength (nm)	375nm (X=37), 395nm (X=39), 405nm (X=40), 430nm (X=43), 460nm (X=46), 470nm (X=47), 500nm (X=50), 530nm (X=53), 565nm (X=56), 600nm (X=60), 620nm (X=62), 660nm (X=66), 730nm (X=73), 808nm (X=80), 850nm (X=85), 880nm (X=88), 940nm (X=94)
Output mode	Fiber output
Fiber connector	SMA905
Fiber core diameter (um)	400 (Y=A), 600 (Y=M)
Output power (mW)	Related to fiber
Power stability (rms, over 4 hours)	<5%
Dimensions of LED	192(L) x241(W) x139.3(H) mm ³
Weight of LED head	0.2kg
Input power	12VDC 7A
Operating mode	CW (Q=C); CW with TTL modulation: 1Hz-1kHz (Q=T1), 1kHz-10kHz (Q=T2); CW with Analog modulation: 1Hz-1kHz (Q=A1), 1kHz-10kHz (Q=A2)
Operating temperature (°C)	10 to 35 °C
Storage temperature (°C)	-20 to 80 °C
Cooled method	Air
Lifetime (hours)	~10,000

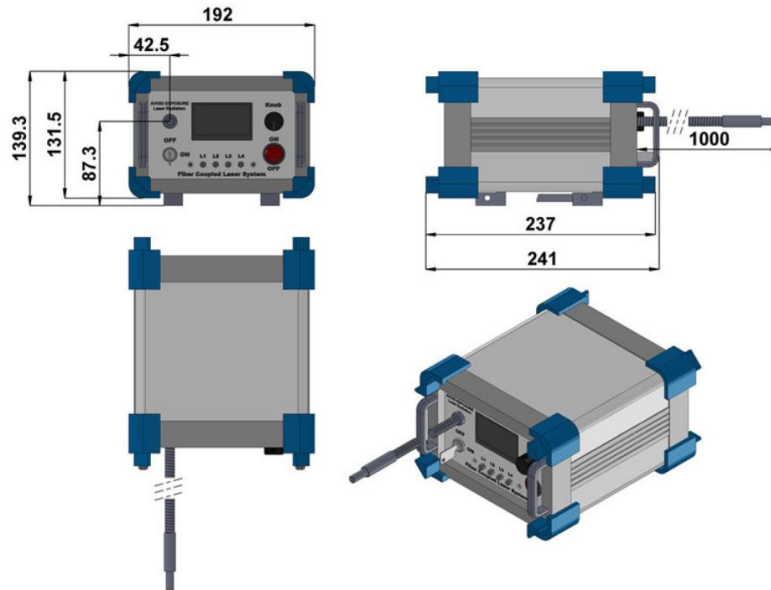
Remarks:

- For 400um fiber, select up to 7 wavelengths. As fiber core diameter increases, the fewer fibers can be combined.
- Other fiber core diameters may be available upon request.
- Specifications are subject to change without notice.

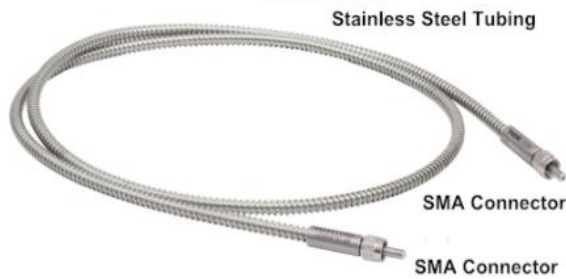


Outline Dimensions (unit: mm)

Multi-Wavelength LED



Fiber



For 400um Fiber



Features a $\Phi 2.0$ mm
7 Fiber Bundle

Note: The above specifications are subject to change without notice.