

## 808nm 200W High Power QCW Conduction-Cooled Packaged Laser Bar

Part No. LDB808Q200WC

### OVERVIEW

The LDB-series high power packaged bars provide OEM customers with scalable power up to kilowatts for pumping, industrial and medical applications. The packaged laser bars can be configured for enhanced brightness through stacking, scaled linearly or vertically for optimized light and material integration.

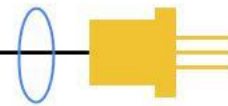
### FEATURES

- 808nm Conduction-Cooled Packaged Bar
- QCW Operation Mode
- High output power: 200W
- High brightness
- Modular and compact design for ease of integration
- Packaged 10mm laser diode bar

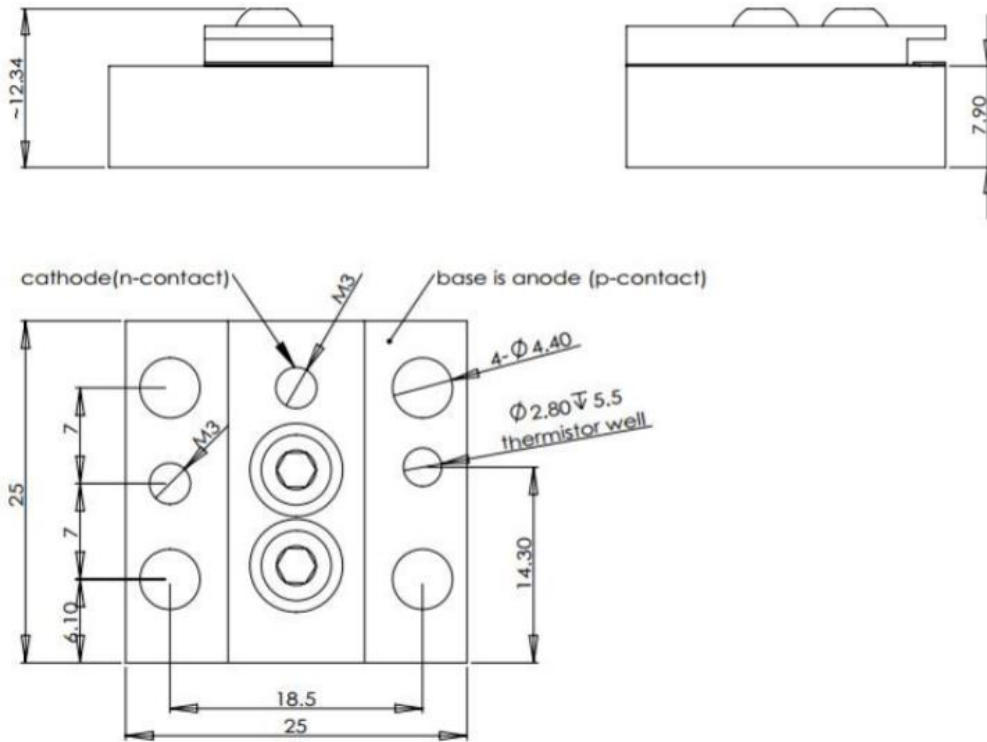


### SPECIFICATIONS (T<sub>c</sub> = 20°C)

Item	Parameter	LDB808Q200WC	Unit
Optical Parameter	Center wavelength	808	nm
	Operation mode	QCW	-
	Output power	200	W
	Spectral width	<5	nm
	Wavelength Temperature coefficient	0.28	nm/°C
	Fast axis divergence	<39	deg
	Slow axis divergence	<10	deg
	Pulse width	<500	μs
	Duty ratio	≤4	%
Electrical Parameter	Threshold current	<30	A
	Operating current	≤200	A
	Operating voltage	<2.0	V
Thermal Parameter	Operating temperature	15 to 35	°C
	Storage temperature	-10 to +60	°C



**MECHANICAL OUTLINE (unit: mm)**



**Notes:**

1. The above specifications are subject to change without notice.
2. Please make sure that the laser diode is operated under the temperature between 15 °C and 35 °C, as high temperature will increase threshold current, decrease exchange rate and accelerate the aging.
3. Please take measures to avoid condensation, which will cause aging of laser diode.