

808nm 300mW 50°C Laser Diode in TO-56 ϕ 5.6mm Package

Part No. LD808A300C15

FEATURES

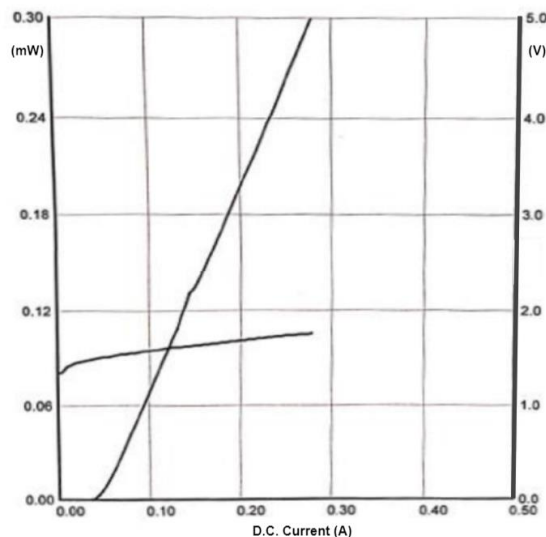
- 808nm 300mW Fabry-Perot cavity semiconductor laser
- High output power
- Package: TO56 (dia. 5.6mm)

SPECIFICATIONS ($T_C = 20^\circ\text{C}$)

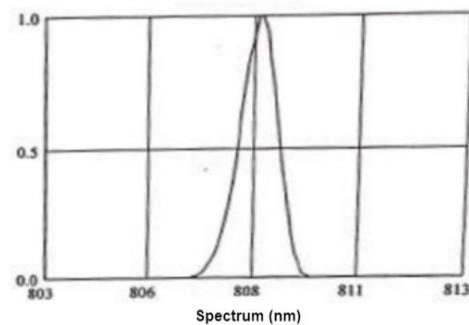
Item	Parameter	Min.	Typ.	Max.	Unit
Optical Parameter	Lasing wavelength	804	808	812	nm
	Output power	-	300	-	mW
	Spectral width	-	1.0	2.0	nm
	Emitting area width	-	40	-	um
	Temperature coefficient	-	0.30	-	nm/ $^\circ\text{C}$
	Fast axis divergence	-	31	38	deg
	Slow axis divergence	-	15	20	deg
Electrical Parameter	Slope efficiency	1.0	-	-	W/A
	Threshold current	-	0.06	0.10	A
	Operating current	-	-	0.33	A
	Operating voltage	-	1.8	2.0	V
Others	Package	TO56			-
	Operating temperature	10 to 50			$^\circ\text{C}$
	Storage temperature	-10 to +60			$^\circ\text{C}$

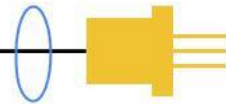
TYPICAL CHARACTERISTICS

P-I-V Curve

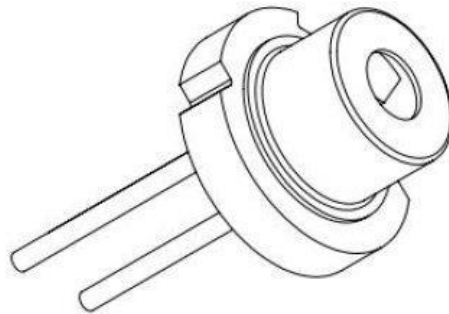
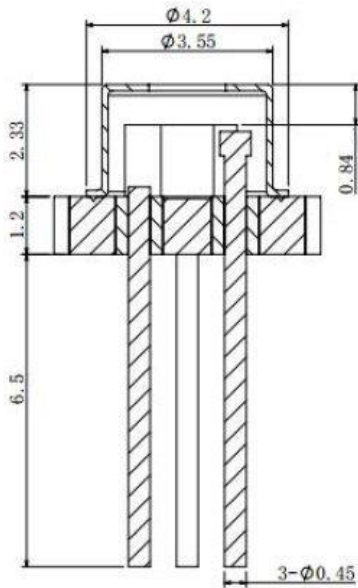
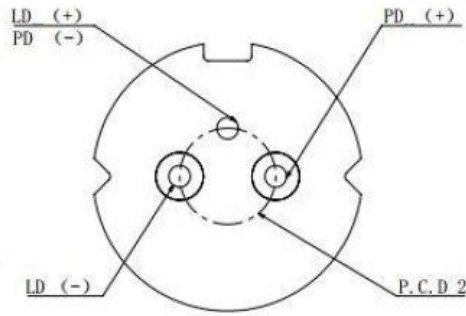
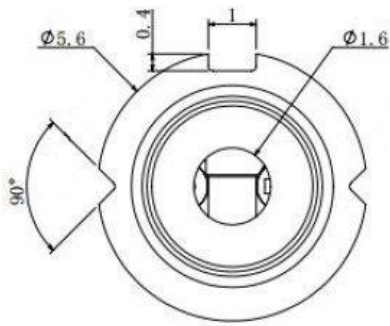


Spectral Curve





MECHANICAL OUTLINE (unit: mm)



TO-56 Package

Unit: mm

ADDITIONAL NOTES

- Do not operate the device above maximum ratings. Doing so may cause unexpected and permanent damage to the device.
- Take precautions to avoid electrostatic discharge and/or momentary power spikes. A change in the characteristics of the laser or premature failure may result.
- Proper heat sinking of the device assures stability and lifetime. Always ensure that maximum operating temperatures are not exceeded.
- Observing visible or invisible laser beams with human eye directly, or indirectly, can cause permanent damage. Use a camera to observe the laser.
- No laser device should be used in any application or situation where life or property is at risk in the event of device failure.
- Specifications are subject to change without notice. Ensure that you have the latest specification by contacting us prior to purchase or use of the product.