

650nm 300mW FP Laser Diode in TO3 Package

Part No. LD650D300F13

FEATURES

- 650nm 300mW Fabry-Perot cavity semiconductor laser
- High output power
- No monitor photodiode
- Package: TO3

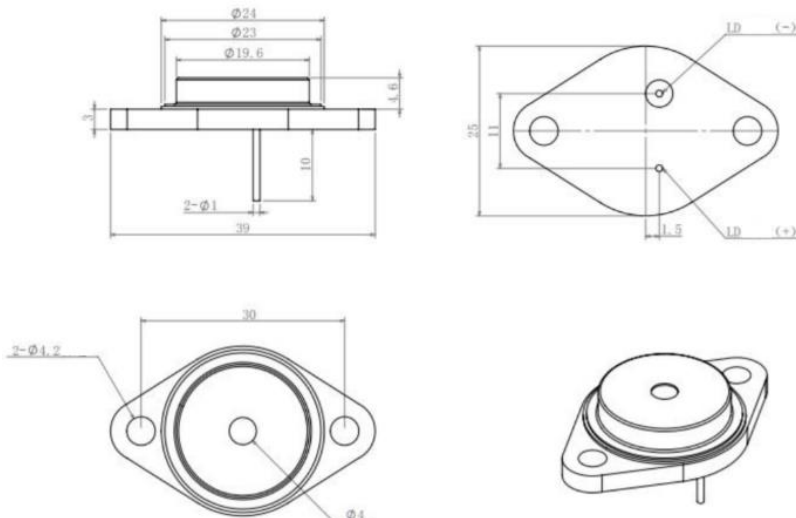
APPLICATIONS

- Bar code scanner

SPECIFICATIONS (T_C = 20°C)

Item	Parameter	Min.	Typ.	Max.	Unit
Optical Parameter	Lasing wavelength	640	650	660	nm
	Output power	-	300	-	mW
	Spectral width	-	1.0	2.0	nm
	Emitting area width	-	100	-	um
	Temperature coefficient	-	0.30	-	nm/°C
	Fast axis divergence	-	34	38	deg
	Slow axis divergence	-	7	10	deg
Electrical Parameter	Slope efficiency	0.90	-	-	W/A
	Threshold current	-	0.45	0.65	A
	Operating current	-	0.70	1.00	A
	Operating voltage	-	2.00	2.30	V
Others	Package	TO3			-
	Operating temperature	10 to 30			°C
	Storage temperature	-10 to +60			°C

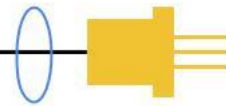
MECHANICAL OUTLINE (unit: mm)



Lasermate Group, Inc.

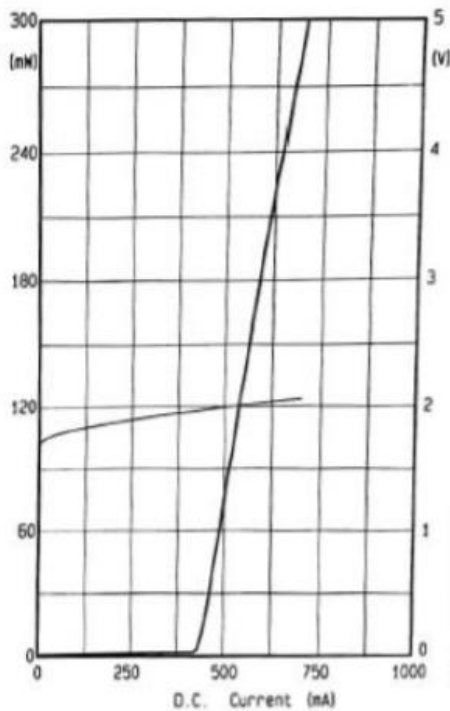
19608 Camino De Rosa, Walnut, CA 91789, USA

Tel: (909)718-0999 | Fax: (909)718-0998 | E-mail: info@lasermate.com | URL: <https://www.lasermate.com>

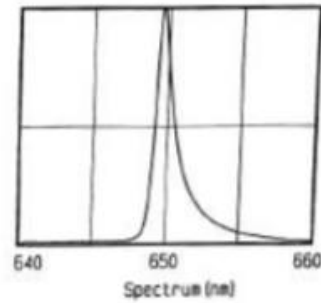


TYPICAL CHARACTERISTICS

P-I-V Curve



Spectral Curve



ADDITIONAL NOTES

- Data in the sheet are based on C-mount package heat sink testing.
- Do not operate the device above maximum ratings. Doing so may cause unexpected and permanent damage to the device.
- Take precautions to avoid electrostatic discharge and/or momentary power spikes. A change in the characteristics of the laser or premature failure may result.
- Proper heat sinking of the device assures stability and lifetime. Always ensure that maximum operating temperatures are not exceeded.
- Observing visible or invisible laser beams with human eye directly, or indirectly, can cause permanent damage. Use a camera to observe the laser.
- No laser device should be used in any application or situation where life or property is at risk in the event of device failure.
- Specifications are subject to change without notice. Ensure that you have the latest specification by contacting us prior to purchase or use of the product.