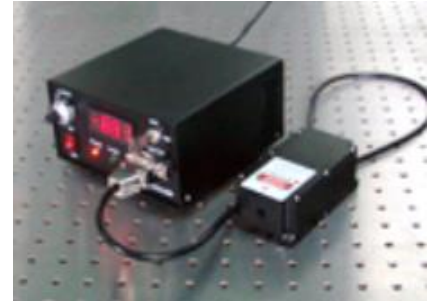




GD1470 Series 1470nm Diode Laser System up to 20mW (TEM₀₀)

Overview

The GD1470 series diode laser is ideal for applications that require a wavelength of 1470nm and output power levels up to 20mW. The laser features TEM₀₀ mode, narrow linewidth, no jump mode output in operating current range, compact design, long operating lifetime, easy operation and FDA-compliant system with driver. The laser is widely used in optical fiber gas detection system, optical sensing, fiber communications, measurement, communication, spectrum analysis, and many other applications.



Specifications

Model Number	GD1470-XYPQ		
Wavelength (nm)	1470±2		
Output power (mW)	>5 (X=5), >10 (X=10), >20 (X=20)		
Transverse mode	TEM ₀₀		
Operating mode	CW		
Power stability (rms, over 4 hours)	<5% (P=A), <3% (P=E), <2% (P=2)		
Ellipticity	>0.95		
M ² factor	<1.1		
Spectral linewidth (MHz)	~3		
Beam diameter at aperture (1/e ² , mm)	~1.0		
Beam divergence, full angle (mrad)	<1.5		
SMSR (dB)	35		
Warm-up time (minutes)	<5		
Beam height from base plate (mm)	25		
Operating temperature (°C)	25+/-3		
Dimensions of laser head (mm)	146(L)×58(W) ×45(H) mm ³		
Weight of laser head (kg)	0.7 kg		
Power supply			
Elite Power Supply (Y=E)	Input voltage	85-264VAC	
	Dimensions	171(L) ×130(W) ×62.2(H) mm ³	
	Weight	1.2 kg	
	Notes	Fixed output power	
Laboratory Power Supply (Y=L)	Input voltage	85-264VAC	
	Dimensions	188.6(L) ×155(W) ×92(H) mm ³	
	Weight	1.5 kg	
	Notes	Adjustable output power	
Modulation option		None (Q=0)	
	TTL	1Hz-1kHz (Q=T1), 1kHz-10kHz (Q=T2), 10kHz-30kHz (Q=T3)	
	Analog	1Hz-1kHz (Q=A1), 1kHz-10kHz (Q=A2), 10kHz-30kHz (Q=A3)	
Expected lifetime (hours)	10,000		
Warranty period	10 months		
FDA Compliance	FDA CDRH Title 21 CFR 1040.10/11 Class IIIb		

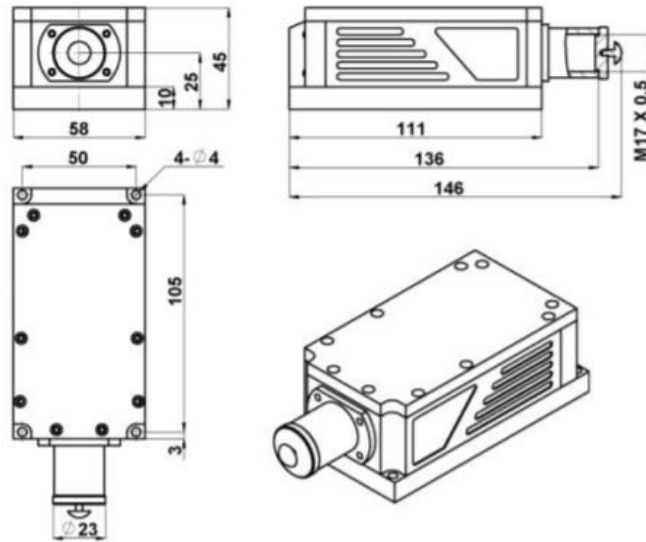
Remarks:

- The laser head needs to be used on a heat sink with good heat dissipation.
- Specifications of the CW laser is based on the laser performance at full power output after the specified warmup period. The stability of output power may change when output power is adjusted at a different power level.



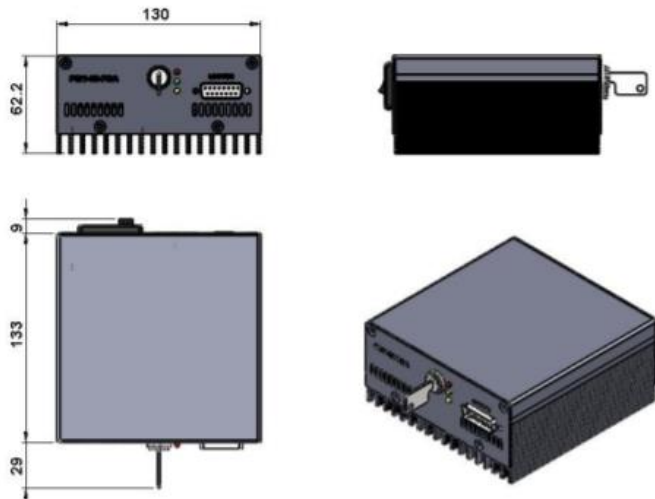
Outline Dimensions (unit: mm)

Laser Head

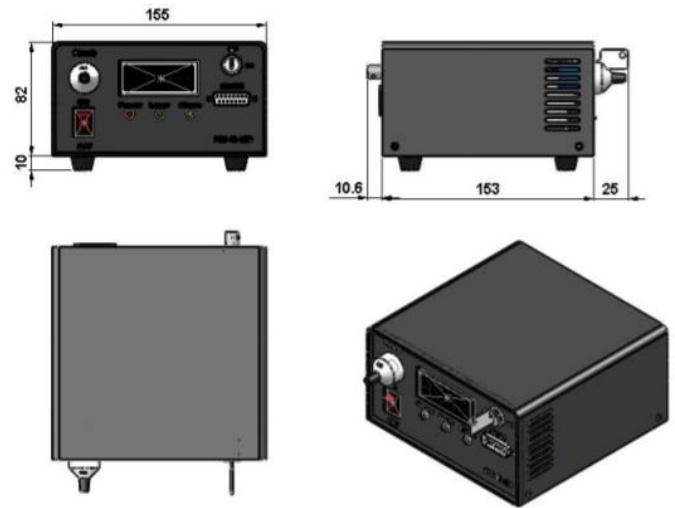


Power Supply Options

Elite Power Supply (Y=E)



Laboratory Power Supply (Y=L)



Note: The above specifications are subject to change without notice.