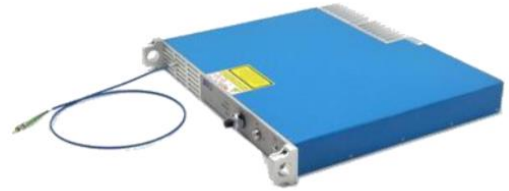




FLS1064 Series 1064nm Single Frequency Mode Fiber Laser

Overview

The FLS1064 series all polarization fiber single frequency mode high power laser is ideal for applications that require a wavelength of 1064nm and output power levels up to 500mW. The laser consists of the seed laser and an amplifier optimized for low noise operation and application, demanding more optical power. It is designed for operation in ranging, gravitational wave, scientific research, and many other applications.



Specifications

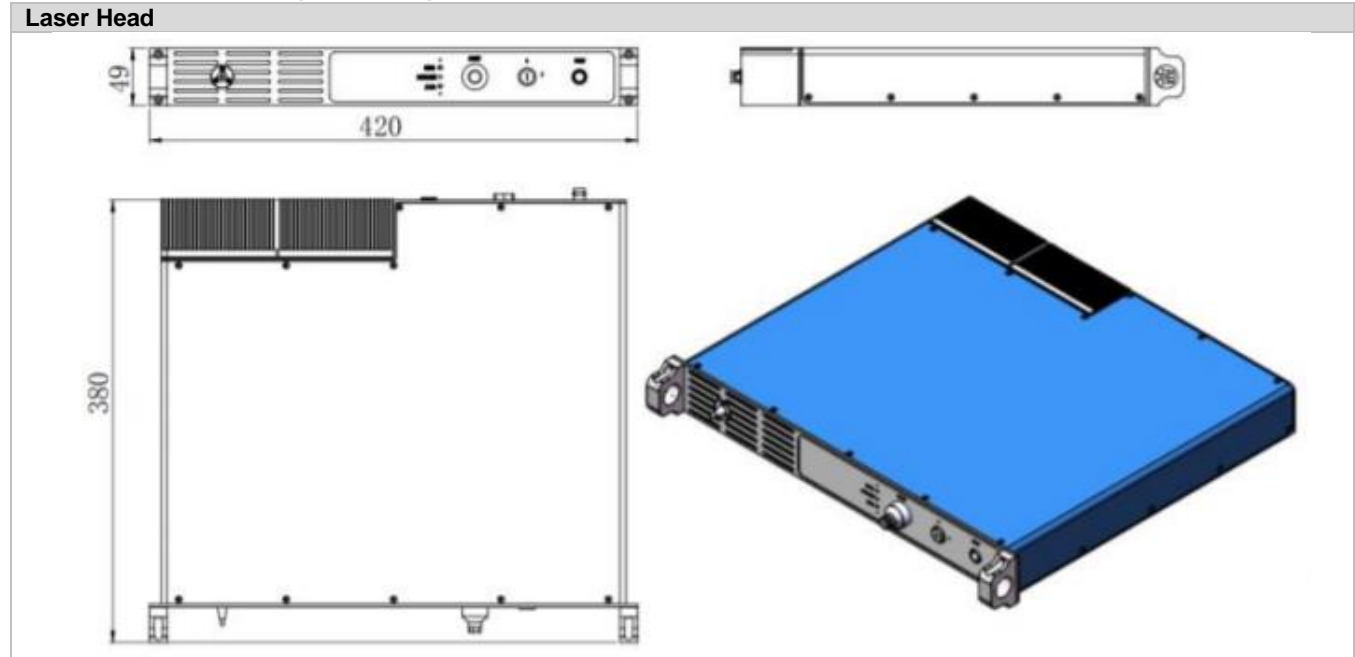
Model Number	FLS1064-XZ-R	
Wavelength (nm)	1064±1	
Operating mode	CW	
Output power (mW)	~10 (X=10), ~100 (X=100), ~500 (X=500)	
Power stability (rms, over 4 hours)	<3% (Z=E), <1% (Z=D)	
Transverse mode	TEM ₀₀	
Longitudinal mode	Single	
Spectral linewidth (kHz)	<100	
Frequency shift (MHz)	<10 @ 1 hour	
M ² factor	<1.2	
Beam delivery optics	FC/APC	
Polarization ratio (dB)	>15	
Warm-up time (minutes)	<30	
Operating temperature (°C)	15-30	
Laser	Input voltage	12V DC
	Dimensions	420(L) x380(W) x49(H) mm ³
	Weight	7 kg
Expected lifetime (hours)	10,000	
RS232 Interface Option	No (R=blank), Yes (R=R)	
Warranty	10 months	
FDA Compliance	FDA CDRH Title 21 CFR 1040.10/11 Class IV	

Remarks:

- The fiber lasers are designated solely as OEM components for incorporation into the customer's end products. It is the customer's responsibility to comply with FDA requirements of FDA 21CFR, section 1040.10 and 1040.11 for complete laser products. For the code of FDA regulations, please refer to [FDA Performance Standards for Light-Emitting Products](#) for detailed information.



Outline Dimensions (unit: mm)



Note: The above specifications are subject to change without notice.