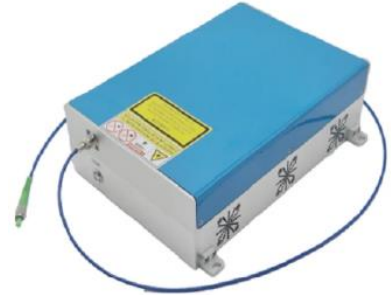




FLP532 Series 532nm Mode-Locked Picosecond Pulsed Fiber Laser

Overview

The FLP532 series mode-locked all fiber pulsed laser is ideal for applications that require a wavelength of 532nm and output power levels up to 150mW. The laser is constructed with SESAM technique and exhibits features of pulse duration <10ps, high output power stability, good beam profile, ultra-compact design, long lifetime, cost effectiveness, and easy operation. It is commonly used in TCSPC, picosecond processing, laser drilling, glass engraving, scientific research and many other applications.

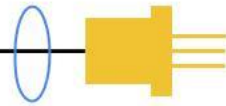


Specifications

| | | |
|-------------------------------------|--|--|
| Model Number | FLP532-XZM | |
| Wavelength (nm) | 532±1 | |
| Operating mode | Passive mode-locked | |
| Output power (mW) | ~50 (X=50), ~100 (X=100), ~150 (X=150) | |
| Pulse width (ps) | <10 | |
| Power stability (rms, over 4 hours) | <3% (Z=E) | |
| Repetition frequency (MHz) | One fixed value between (20-60) ±1 MHz (M= specify value) | |
| M ² factor | <1.5 | |
| Polarization ratio | >15dB | |
| Beam height from base plate (mm) | 30 | |
| Delivery cable length (m) | Variable | |
| Warm-up time (minutes) | <15 | |
| Operating temperature (°C) | 15-35 | |
| Second Harmonic | Dimensions | 220(L) x100(W) x53(H) mm ³ |
| | Weight | 1 kg |
| FLP1064 Series Laser | Input voltage | 5V DC |
| | Dimensions | 344(L) x200(W) x100(H) mm ³ |
| | Weight | 3 kg |
| Expected lifetime (hours) | 10,000 | |
| Warranty | 10 months | |
| FDA Compliance | FDA CDRH Title 21 CFR 1040.10/11 Class IV | |

Remarks:

- The fiber lasers are designated solely as OEM components for incorporation into the customer's end products. It is the customer's responsibility to comply with FDA requirements of FDA 21CFR, section 1040.10 and 1040.11 for complete laser products. For the code of FDA regulations, please refer to [FDA Performance Standards for Light-Emitting Products](#) for detailed information.
- Specifications are subject to change without notice.

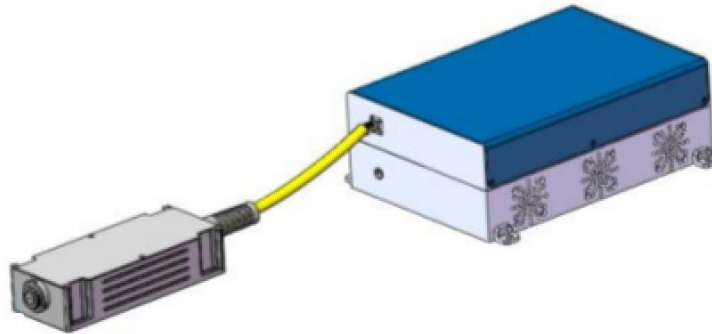


Outline Dimensions (unit: mm)

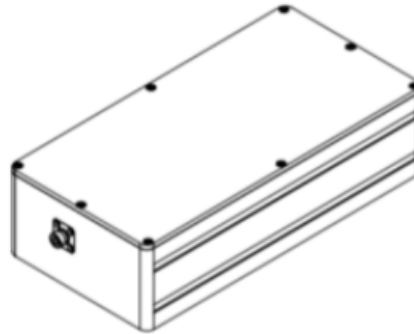
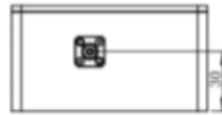
FLP532 Series 532nm Laser

Second Harmonic

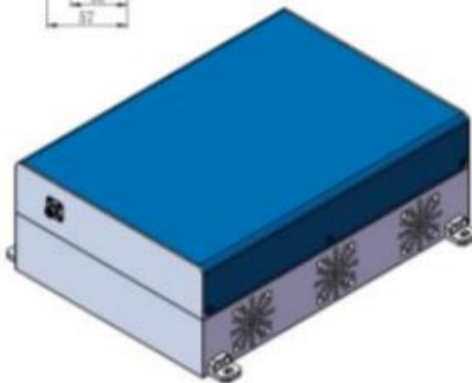
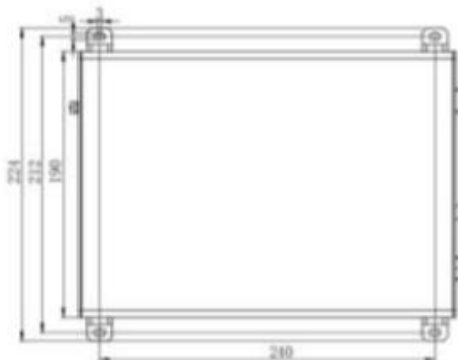
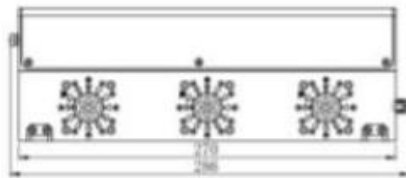
FLP1064 Series Laser



Second Harmonic



FLP1064 Series 1064nm Laser



Note: The above specifications are subject to change without notice.