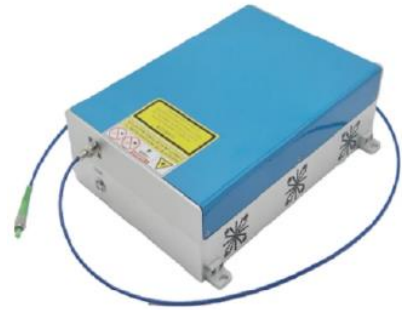




FLP1064 Series 1064nm Mode-Locked Picosecond Pulsed Fiber Laser up to 2000mW

Overview

The FLP1064 series mode-locked all fiber pulsed laser is ideal for applications that require wavelength of 1064nm and output power levels up to 2000mW. The laser constructed with SESAM technique and exhibits features of pulse duration <10ps, high output power stability, good beam profile, ultra-compact design, long lifetime, cost effectiveness, and easy operation. It is commonly used in laser radar, precision marking, precision drilling, life science, precision etching, microelectronics, scientific research, and many other applications.

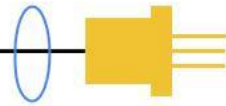


Specifications

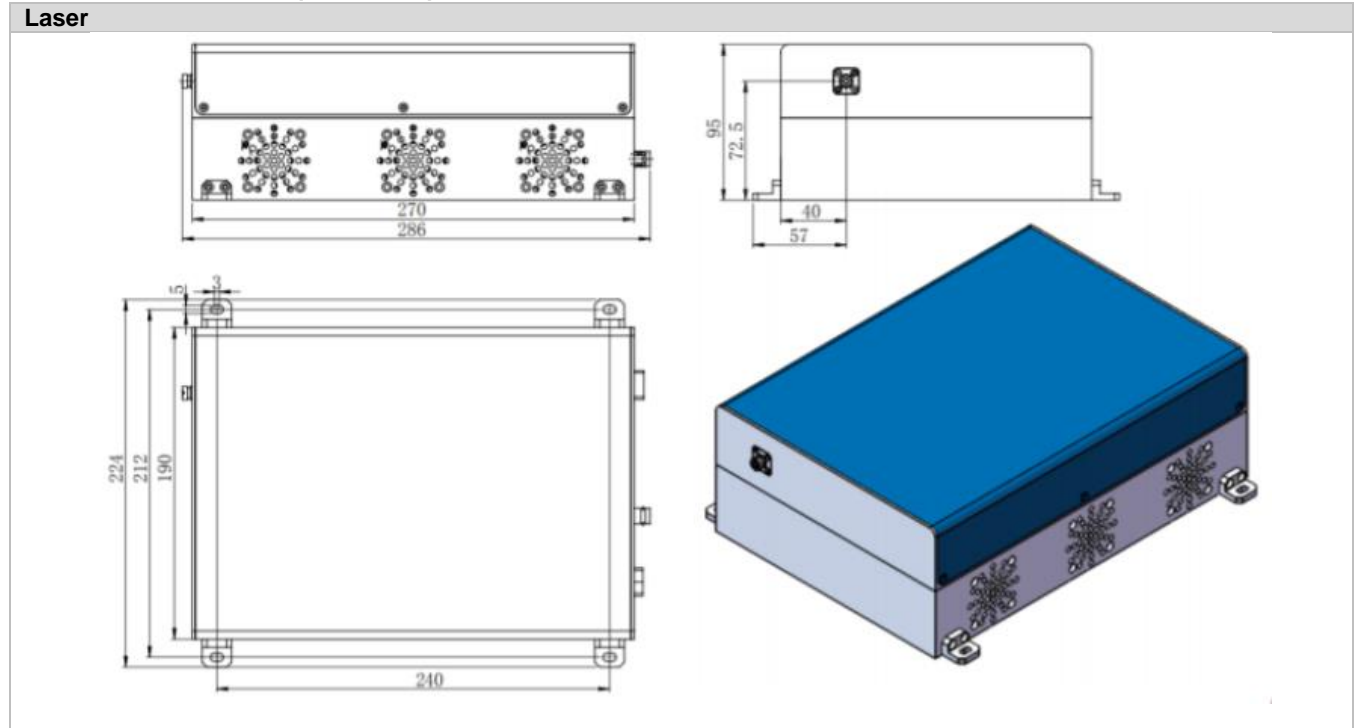
Model Number	FLP1064-XZM	
Wavelength (nm)	1064±1	
Operating mode	Passive mode-locked	
Output power (mW)	~10 (X=10), ~30 (X=30), ~50 (X=50), ~100 (X=100)	~500 (X=500), ~1000 (X=1W), ~2000 (X=2W)
Pulse width (ps)	<10	
Power stability (rms, over 4 hours)	<3% (Z=E), <1% (Z=D)	
Repetition frequency (MHz)	One fixed value between (20-60) ±1 MHz (M=specify value)	
M ² factor	<1.2	<1.5
Polarization ratio	Random / >15dB	
Delivery cable length (m)	Variable	
Warm-up time (minutes)	<15	
Operating temperature (°C)	15-35	
Laser	Input voltage	12V DC
	Dimensions	286(L) x190(W) x95(H) mm ³
	Weight	2.5 kg
Expected lifetime (hours)	10,000	
Warranty	10 months	
FDA Compliance	FDA CDRH Title 21 CFR 1040.10/11 Class IV	

Remarks:

- The fiber lasers are designated solely as OEM components for incorporation into the customer's end products. It is the customer's responsibility to comply with FDA requirements of FDA 21CFR, section 1040.10 and 1040.11 for complete laser products. For the code of FDA regulations, please refer to [FDA Performance Standards for Light-Emitting Products](#) for detailed information.



Outline Dimensions (unit: mm)



Note: The above specifications are subject to change without notice.