



## FLN266 Series 266nm High Frequency Nanosecond Pulsed Fiber Laser up to 50mW

### Overview

The FLN266 series high frequency all fiber pulsed laser is ideal for applications that require a wavelength of 266nm and output power levels up to 50mW. The laser is constructed with features of pulse duration <50ns, high output power stability, good beam profile, ultra-compact design, long lifetime, cost effectiveness, and easy operation. It is commonly used in scientific research, laser processing and many other applications.

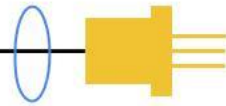


### Specifications

|                                     |  |  |
|-------------------------------------|--|--|
| <b>Model Number</b>                 | <b>FLN266-XZPM-R</b>   |  |
| Wavelength (nm)                     | 266±1  |  |
| Operating mode                      | Pulsed   |  |
| Output power (mW)                   | ~10 ( <b>X=10</b> ), ~20 ( <b>X=20</b> ), ~30 ( <b>X=30</b> ), ~50 ( <b>X=50</b> )                                   |  |
| Pulse width (ns)                    | One fixed value: 0.5~50ns ( <b>P=specify value</b> )<br>Adjustable: 0.5~50ns ( <b>P=A1</b> ), 5~50ns ( <b>P=A2</b> ) |  |
| Power stability (rms, over 4 hours) | <5% ( <b>Z=A</b> )   |  |
| Repetition frequency (MHz)          | One fixed value between 0.1-1MHz ( <b>M=specify value</b> )  |  |
| M <sup>2</sup> factor               | <2   |  |
| Polarization ratio                  | >15dB  |  |
| Delivery cable length (m)           | Variable   |  |
| Warm-up time (minutes)              | <15  |  |
| Operating temperature (°C)          | 15-35  |  |
| Forth Harmonic                      | Dimensions   | 364(L) x125(W) x67(H) mm <sup>3</sup>  |
|                                     | Weight   | 1.1 kg                                 |
| FLN1064 Series Laser                | Input voltage  | 220V AC / 12V DC                       |
|                                     | Dimensions   | 344(L) x200(W) x100(H) mm <sup>3</sup> |
|                                     | Weight   | 6.5 kg                                 |
| RS232 Interface Option              | No ( <b>R=blank</b> ), Yes ( <b>R=R</b> )  |  |
| Expected lifetime (hours)           | 10,000   |  |
| Warranty                            | 10 months  |  |
| FDA Compliance                      | FDA CDRH Title 21 CFR 1040.10/11 Class IV  |  |

#### Remarks:

- The fiber lasers are designated solely as OEM components for incorporation into the customer's end products. It is the customer's responsibility to comply with FDA requirements of FDA 21CFR, section 1040.10 and 1040.11 for complete laser products. For the code of FDA regulations, please refer to [FDA Performance Standards for Light-Emitting Products](#) for detailed information.
- Specifications are subject to change without notice.

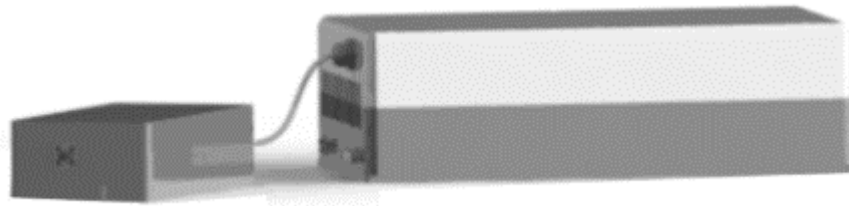


**Outline Dimensions (unit: mm)**

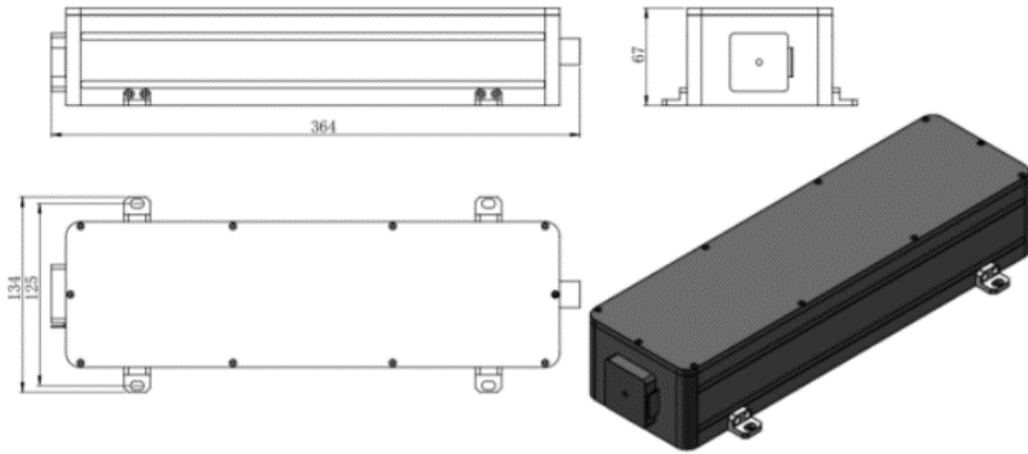
**FLN266 Series 266nm Laser**

Forth Harmonic

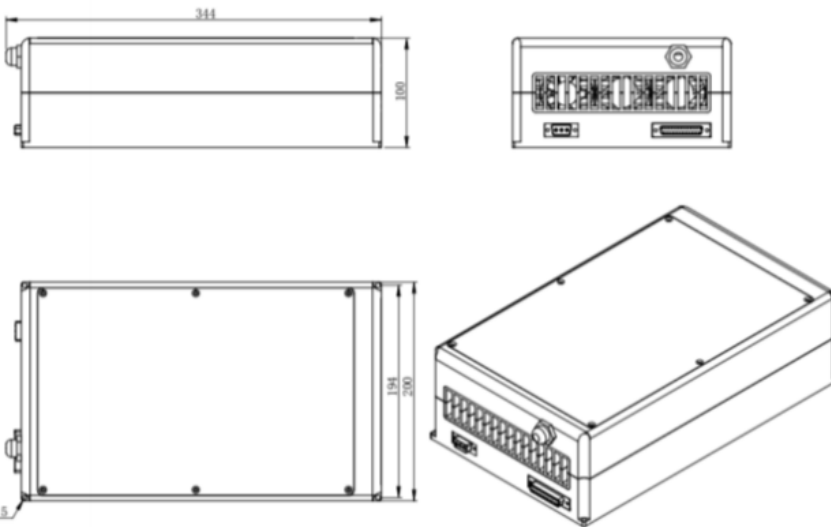
FLN1064 Series 1064nm Laser



**Forth Harmonic**



**FLN1064 Series 1064nm Laser**



Front Panel



Back Panel



Note: The above specifications are subject to change without notice.