

FLK266 Series 266nm Picosecond Pulsed Fiber Laser up to 50mW

Overview

The FLK266 series picosecond all fiber pulsed laser is ideal for applications that require wavelength of 266nm and output power levels up to 50mW. The laser is constructed with features of pulse duration <900ps, high output power stability, good beam profile, ultra-compact design, long lifetime, cost effectiveness, and easy operation. It is commonly used in scientific research, laser processing and many other applications.

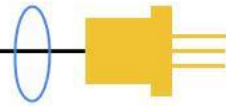


Specifications

Model Number	FLK266-XZPM-R	
Wavelength (nm)	266±1	
Operating mode	Pulsed	
Output power (mW)	~10 (X=10), ~20 (X=20), ~30 (X=30), ~50 (X=50)	
Pulse width (ps)	One fixed value between 100~900ps (P=specify value)	
Power stability (rms, over 4 hours)	<5% (Z=A), <3% (Z=E)	
Repetition frequency (MHz)	One fixed value between 0.1~20MHz (M=specify value)	
M ² factor	<2	
Polarization ratio	>15dB	
Beam height from base plate (mm)	30	
Delivery cable length (m)	Variable	
Warm-up time (minutes)	<15	
Operating temperature (°C)	15~35	
Forth Harmonic	Dimensions	364(L) x125(W) x67(H) mm ³
	Weight	1.1 kg
FLK1064 Series Laser	Input voltage	220V AC / 12V DC
	Dimensions	344(L) x200(W) x100(H) mm ³
	Weight	6.5 kg
RS232 Interface Option	No (R=blank), Yes (R=R)	
Expected lifetime (hours)	10,000	
Warranty	10 months	
FDA Compliance	FDA CDRH Title 21 CFR 1040.10/11 Class IV	

Remarks:

- The fiber lasers are designated solely as OEM components for incorporation into the customer's end products. It is the customer's responsibility to comply with FDA requirements of FDA 21CFR, section 1040.10 and 1040.11 for complete laser products. For the code of FDA regulations, please refer to [FDA Performance Standards for Light-Emitting Products](#) for detailed information.
- Specifications are subject to change without notice.

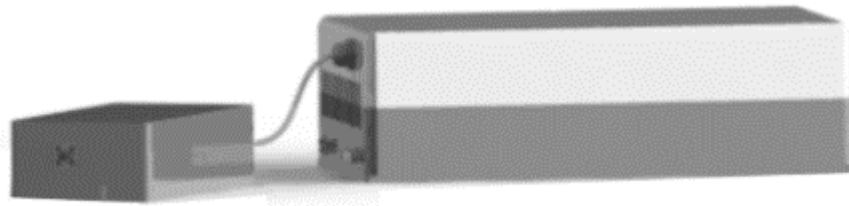


Outline Dimensions (unit: mm)

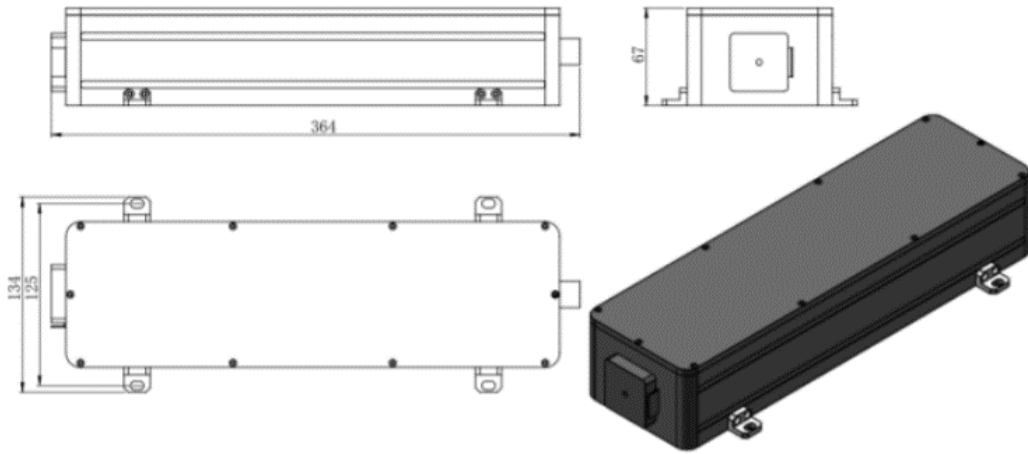
FLK266 Series 266nm Laser

Forth Harmonic

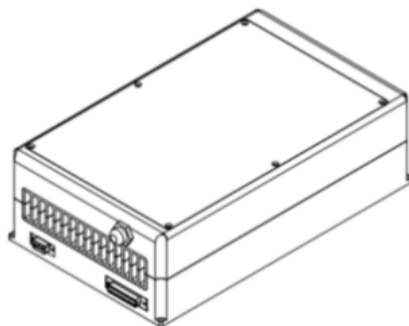
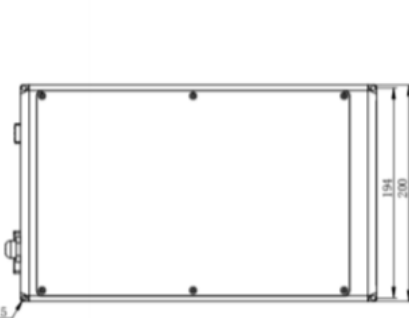
FLK1064 Series 1064nm Laser



Forth Harmonic



FLK1064 Series 1064nm Laser



Front Panel



Back Panel



Note: The above specifications are subject to change without notice.