



FLA1064 Series 1064nm Q-Switch Pulsed Fiber Laser up to 20uJ

Overview

The FLA1064 series all fiber pulsed laser is ideal for applications that require a wavelength of 1064nm and single pulse energy levels up to 20uJ. The laser is constructed with features of pulse duration <50ns, high output power stability, good beam profile, ultra-compact design, long lifetime, cost effectiveness, and easy operation. It is commonly used in laser radar, life science, material processing, microelectronics, scientific research, and many other applications.



Specifications

Model Number		FLA1064-XZP	
Wavelength (nm)		1064±1	
Operating mode		Pulsed	
Single pulse energy (uJ)		>1 (X=1), >2 (X=2)	>1 (X=1), >5 (X=5), >10 (X=10), >20 (X=20)
Pulse width (ns)		One fixed value between 0.5-5ns (P=specify value) Adjustable: 0.5~5ns (P=A1)	One fixed value between 5-50ns (P=specify value) Adjustable: 5~50ns (P=A2)
Energy stability (rms, over 4 hours)		<3% (Z=E)	
Repetition frequency (Hz)		1-1000	
Transverse mode		TEM ₀₀	
M ² factor		<1.1	
Polarization state		Random / >15dB	
Warm-up time (minutes)		<15	
Operating temperature (°C)		15-35	
Laser head	Dimensions	260(L) x180(W) x75(H) mm ³	
	Weight	3.0 kg	
Power supply	Input voltage	220V AC	
	Dimensions	290(L) x220(W) x85(H) mm ³	
	Weight	3.0 kg	
Expected lifetime (hours)		10,000	
Warranty		10 months	
FDA Compliance		FDA CDRH Title 21 CFR 1040.10/11 Class IIIb	

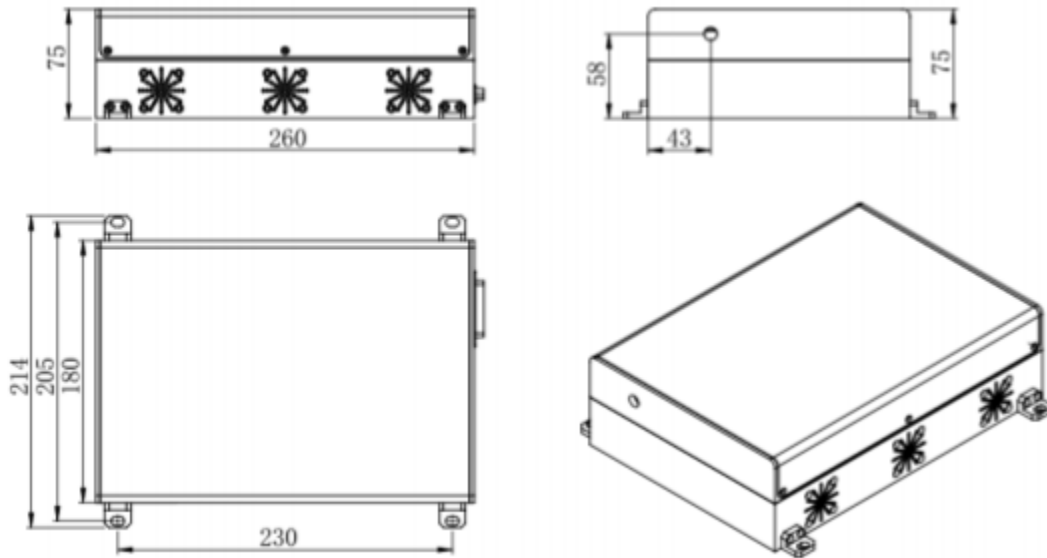
Remarks:

- The fiber lasers are designated solely as OEM components for incorporation into the customer's end products. It is the customer's responsibility to comply with FDA requirements of FDA 21CFR, section 1040.10 and 1040.11 for complete laser products. For the code of FDA regulations, please refer to [FDA Performance Standards for Light-Emitting Products](#) for detailed information.

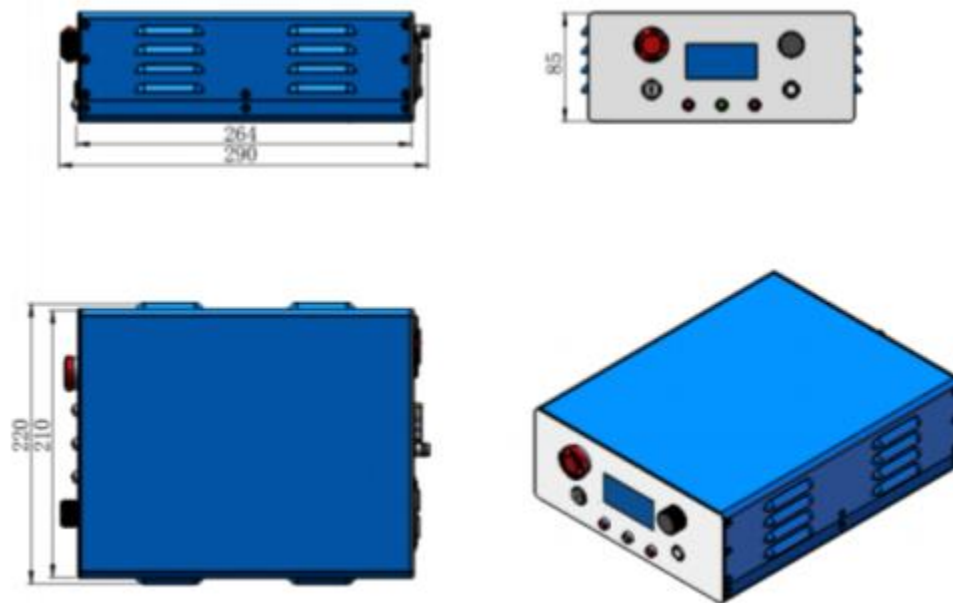


Outline Dimensions (unit: mm)

Laser Head



Power Supply



Note: The above specifications are subject to change without notice.