



## Fiber Optic Collimator with Spherical Lens and Adjustable Focus

Model No. FC-SF-FC-AFY (FC/PC Connector) | FC-SL-SMA-AFY (SMA905 Connector)



### OVERVIEW

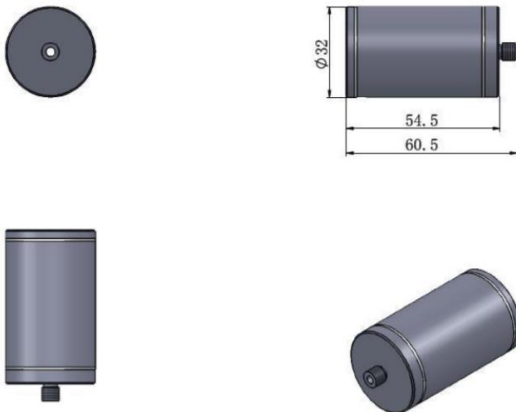
The fiber collimator is designed to connect to the end of the FC/PC or SMA905 connector and contains an AR-coated spherical lens. The distance between the spherical lens and the tip of the FC-terminated fiber can be adjusted to compensate for focal length changes, or to re-collimate the beam at the specific wavelength and distance of interest.

### SPECIFICATIONS

Model Number	FC-SL-X-AFY			
Inner lens	Spherical			
Connector	FC/PC (X=FC), SMA905 (X=SMA)			
Focus	Adjustable			
Dimensions	Φ32mm x 60.5mm			
Fiber core diameter (um)	100 (Y=100)	200 (Y=200)	400 (Y=400)	
Beam at focused distance	@4-5cm	200-250um	300-350um	700-800um
	@10cm	1-1.1mm	1.4-1.5mm	2.4-2.7mm
	@20cm	1.5-1.8mm	1.7-3.2mm	4-5mm
	@30cm	2-3.2mm	2.3-4.8mm	6-7.5mm
Divergence (diverging) (mrad)	6-178mrad	10-143mrad	19-172mrad	
Divergence (focused) (mrad)	6-128mrad	10-125mrad	19-115mrad	

**Note:** The parameters are different depending on the type or wavelength of laser.

### OUTLINE DIMENSIONS



**Note:** The specifications subject to change without notice.

**Lasermate Group, Inc.**

19608 Camino De Rosa, Walnut, CA 91789, USA

Tel: (909)718-0999 | Fax: (909)718-0998 | E-mail: [info@lasermate.com](mailto:info@lasermate.com) | URL: <http://www.lasermate.com>