

## FCM520V Series 520nm 50mW Fiber Coupled Laser Modules

With 400um Fiber Core Diameter, Wide Operating Temperature and High Reliability

### Overview

The FCM520V series fiber coupled laser modules are ideal for applications that require a wavelength of 520nm and output power 50mW. The laser module features wide temperature operation and high reliability. The laser is commonly used in orientation, alignment, measurement, and many other applications.

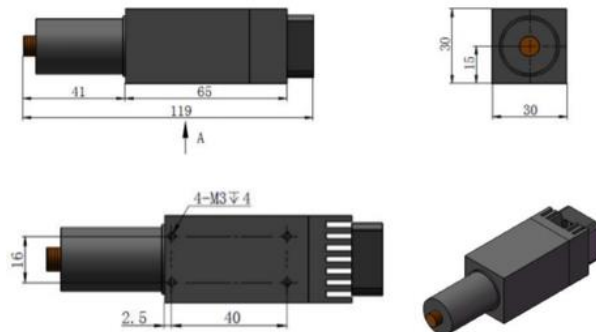


### Specifications

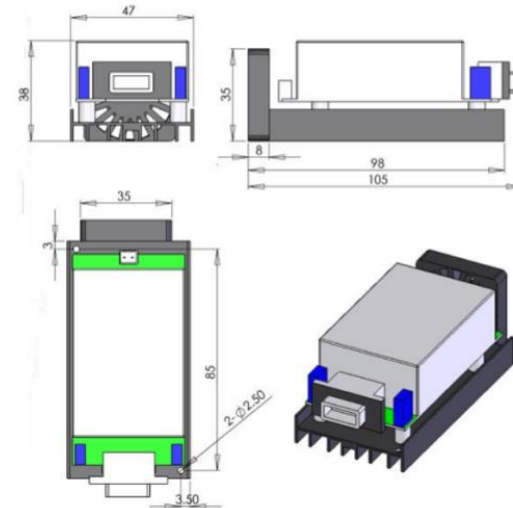
Model Number	FCM520V-P50Y	
Wavelength (nm)	520	
Output power (mW)	~50	
Transverse mode	TEM <sub>00</sub>	
Fiber	400um core diameter	
Type of connector	FC (Y=FC) or SMA905 (Y=SMA)	
Operating mode	CW	
Power stability (rms)	<5%, over 4 hours at constant temperature after warmup	
Operating temperature (°C)	15-30	
Dimensions of laser	119(L) x30(W) x 30(H) mm <sup>3</sup>	
Driver	Input voltage	90-264VAC
	Dimensions	105(L) x47(W) x 38(H) mm <sup>3</sup>
	Weight	0.2kg
Expected lifetime (hours)	10000	
Warranty period	4 months	

### Outline Dimensions (unit: mm)

#### Laser Module



#### Driver



### Additional Notes

- The FCM520V series laser modules are designated solely as OEM components for incorporation into the customer's end products. Therefore, it is the customer's responsibility to comply with the appropriate requirements of FDA 21CFR, section 1040.10 and 1040.11 for complete laser products. For the code of FDA regulations, please refer to [FDA Performance Standards for Light-Emitting Products](#) for detailed information.
- Specifications are subject to change without notice.

**Lasermate Group, Inc.**

19608 Camino De Rosa, Walnut, CA 91789, USA

Tel: (909)718-0999 | Fax: (909)718-0998 | E-mail: [info@lasermate.com](mailto:info@lasermate.com) | URL: <http://www.lasermate.com>