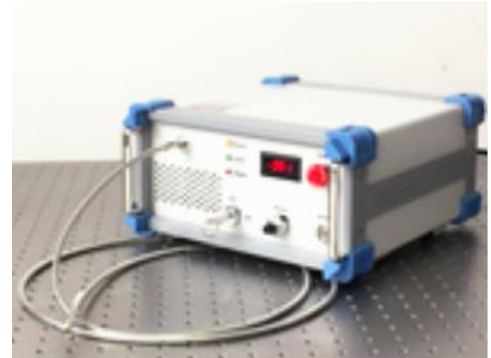


## FCL885 Series 885nm High Power Fiber Coupled Diode Laser System up to 40W

### Overview

The FCL885 series fiber coupled diode laser is ideal for applications that require a wavelength of 885nm and output power levels up to 40W. The laser features an integrated laser diode, fiber coupling optics, laser power supply, LD current and temperature control in one box. Its compact dimensions and convenient functions, including but not limited to power adjustment, temperature control, and LED display make the laser suitable for pumping, scientific research, industrial and medical applications.

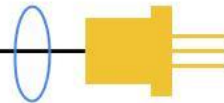


### Specifications

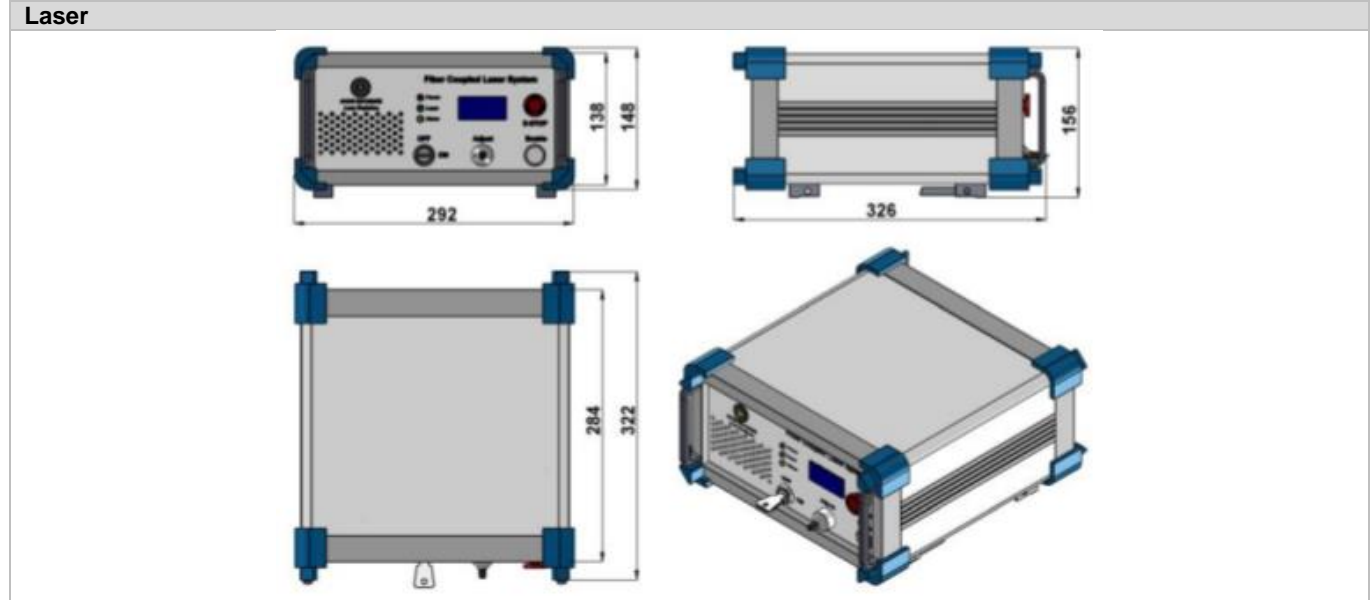
<b>Model Number</b>	<b>FCL885-XPQZ-A</b>
Wavelength (nm)	885±3
Operating mode	CW
Output power after fiber (W)	~20 ( <b>X=20W</b> ), ~40 ( <b>X=40W</b> )
Power stability (rms, over 4 hours)	<1% ( <b>P=D</b> )
Fiber core diameter	400um
Fiber numerical aperture	0.22 NA
Fiber connector	SMA905
Fiber length (m)	2
Output power control	0-100%, adjustable by knob
LED display	Diode current
Operating temperature	10-40°C
Red pilot light option	No ( <b>Z=N</b> ), Yes ( <b>Z=R</b> )
Dimensions of laser (mm)	292(L)×326(W) ×156(H)
Weight of laser (kg)	6.3 kg
Input power	90-264VAC, 50 to 60Hz
Cooling method	Air cooled
Modulation option	None ( <b>Q=0</b> )
	TTL 1Hz-1kHz ( <b>Q=T1</b> ), 1kHz-10kHz ( <b>Q=T2</b> ), 10kHz-30kHz ( <b>Q=T3</b> )
	Analog 1Hz-1kHz ( <b>Q=A1</b> ), 1kHz-10kHz ( <b>Q=A2</b> ), 10kHz-30kHz ( <b>Q=A3</b> )
Optional accessories	<a href="#">Fiber Collimator</a>
Expected lifetime (hours)	10,000
Warranty period	10 months

#### Remarks:

- The laser can be run from 0-30kHz. However, the laser will be adjusted such that the waveform and performance is good at the requested specified range.
- Specifications of the CW laser is based on the laser performance at full power output after the specified warmup period. The stability of output power may change when output power is adjusted at a different power level.



**Outline Dimensions (unit: mm)**



Note: The above specifications are subject to change without notice.