



## DPS1064 Series Environmentally Sealed 1064nm CW DPSS Laser System up to 1500mW

### Overview

The DPS1064 series diode pumped solid state (DPSS) laser is ideal for applications that require a wavelength of 1064nm and output power levels up to 1500mW. The laser features a compact design, good sealing, long lifetime, easy operation working under the pressure of 0.02kPa, and FDA-compliant system with driver. The laser is widely used in scientific experiment, measurement, optical instrument, optical sensor, communication, spectrum analysis, and many other applications.



### Specifications

<b>Model Number</b>	<b>DPS1064-XYZRQ</b>			
Wavelength (nm)	1064±1			
Output power (mW)	>300 ( <b>X=300</b> )		>500 ( <b>X=500</b> ), >800 ( <b>X=800</b> ), >1000 ( <b>X=1W</b> ), >1500 ( <b>X=1H</b> )	
Transverse mode	TEM <sub>00</sub>			
Operating mode	CW			
Power stability (rms, over 4 hours)	<3% ( <b>Z=E</b> ), <2% ( <b>Z=2</b> ), <1% ( <b>Z=D</b> )		<3% ( <b>Z=E</b> ), <2% ( <b>Z=2</b> )	
M <sup>2</sup> factor	<1.2		<1.5	
Beam diameter at aperture (1/e <sup>2</sup> , mm)	1.00±0.05		1.20±0.05	
Beam divergence, full angle (mrad)	<1.7		<1.8	
Polarization ratio	>100:1 Horizontal ±5 degree			
Warm-up time (minutes)	<5			
Pointing stability after warm-up (mrad)	<0.05			
Pointing stability over temp (urad/°C)	<8			
Beam height from base plate (mm)	19			
Power consumption (W)	<40			
Shock tolerance (6ms)	7g laterally, 15g vertically			
IP rating	IP67 ( <b>R=W</b> )	IP65 ( <b>R=D</b> )	IP67 ( <b>R=W</b> )	IP65 ( <b>R=D</b> )
Operating temperature (°C)	0-60	10-35	0-60	10-35
Max heat dissipation of head	10W at 50°C	4W at 25°C	10W at 50°C	4W at 25°C
Dimensions of laser head (mm)	100(L)×40(W) ×40(H) mm <sup>3</sup>			
Weight of laser head (kg)	0.36 kg			
Power supply options				
High Power Elite Power Supply ( <b>Y=H</b> )	Input voltage	90-264VAC		
	Dimensions	236 (L) ×145(W) ×104(H) mm <sup>3</sup>		
	Weight	2.3 kg		
	Notes	Fixed output power, only for IP67 rating		
A Version Elite Power Supply ( <b>Y=F</b> )	Input voltage	90-264VAC		
	Dimensions	162(L) ×144(W) ×55(H) mm <sup>3</sup>		
	Weight	0.5 kg		
	Notes	Fixed output power, only for IP65 rating		
A Version Laboratory Power Supply ( <b>Y=T</b> )	Input voltage	90-264VAC		
	Dimensions	162(L) ×144(W) ×70(H) mm <sup>3</sup>		
	Weight	0.6 kg		
	Notes	Adjustable output power, only for IP65 rating		
Modulation option	None ( <b>Q=0</b> )			
	TTL	1Hz-1kHz ( <b>Q=T1</b> ), 1kHz-10kHz ( <b>Q=T2</b> ), 10kHz-30kHz ( <b>Q=T3</b> )		
	Analog	1Hz-1kHz ( <b>Q=A1</b> ), 1kHz-10kHz ( <b>Q=A2</b> ), 10kHz-30kHz ( <b>Q=A3</b> )		
Expected lifetime (hours)	10,000			
Warranty period	10 months			
FDA Compliance	FDA CDRH Title 21 CFR 1040.10/11 Class IV			

#### Remarks:

- Specifications of the CW laser is based on the laser performance at full power output after the specified warmup period. The stability of output power may change when output power is adjusted at a different power level.

**Lasermate Group, Inc.**

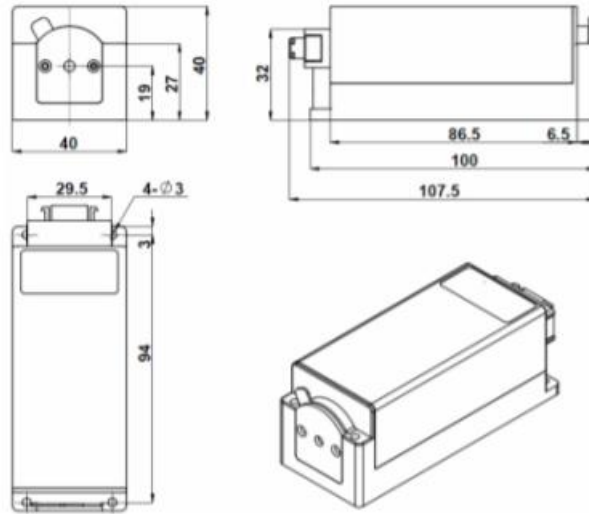
19608 Camino De Rosa, Walnut, CA 91789, USA

Tel: (909)718-0999 | Fax: (909)718-0998 | E-mail: info@lasermate.com | URL: <http://www.lasermate.com>



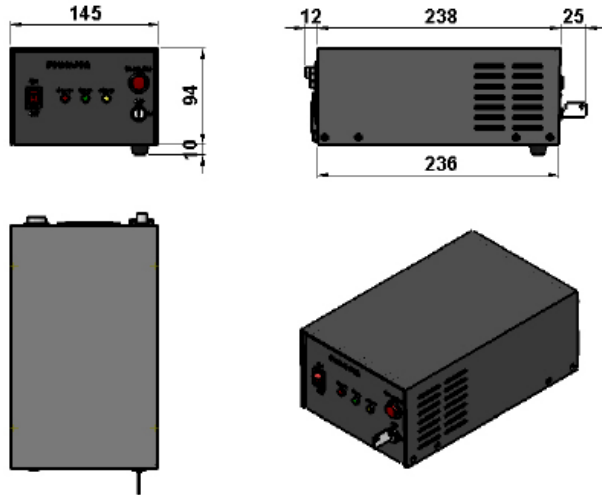
**Outline Dimensions (unit: mm)**

**Laser Head**



**Power Supply Options**

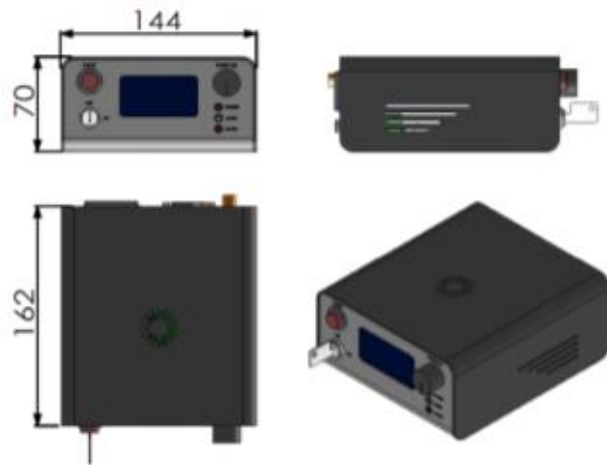
**High Power Elite Power Supply (Y=H)**



**A Version Elite Power Supply (Y=F)**



**A Version Laboratory Power Supply (Y=T)**



Note: The above specifications are subject to change without notice.